

# **E-TON**

## **PARTS LIST MANUAL**



**VIPER ST.150**

## CONTENTS

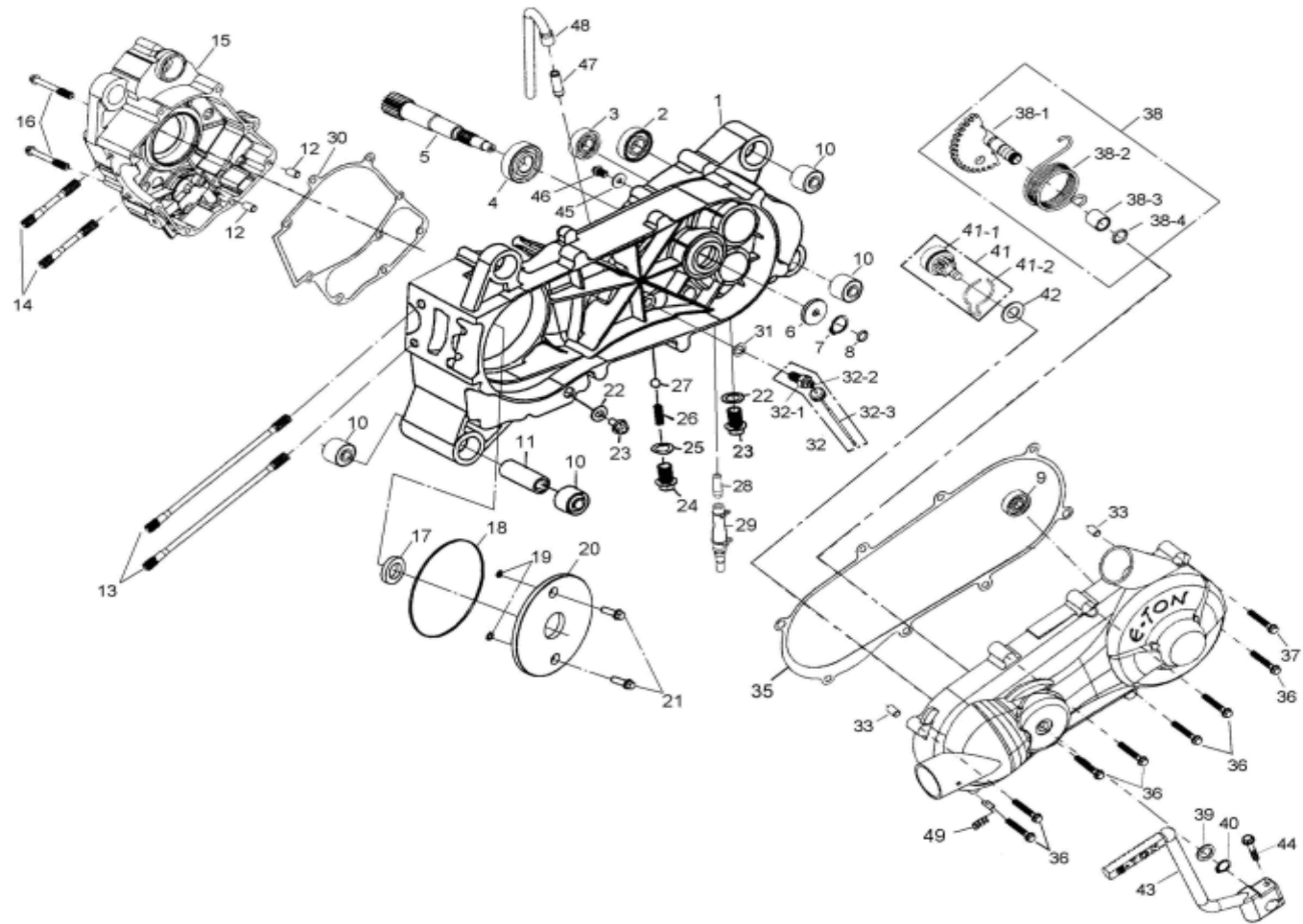
### PARTS ITEM

01	CRANK CASE, L COVER, SPINDLE ASSY.	曲軸箱，由軸箱蓋，腳起動組
02	CRANK SHAFT, PISTON, CYLINDER, TENSIONER	曲柄，活塞，汽缸，拉力桿
03	OIL PUMP, STARTING MOTOR	機油pump，起動馬達
04	RIGHT CRANK CASE COVER, GENERATOR	右曲軸箱蓋，發電機
05	COVER HEAD, HEAD, CAM SHAFT, VALVE	汽缸頭蓋，汽缸頭，凸輪軸，閥門
06	FAN COVER, SHROUD	風扇蓋，引擎罩蓋
07	DRIVEN RULLEY (CVT)	CVT驅動皮帶輪
08	TRANSMISSION	傳動系
09	GEAR SHAFT LEVER, SAFETY SWITCH	變檔桿，安全開關
10	AIR CLEANER	空氣濾清器
11	CARBURETOR	化油器
12	OIL COOLER	機油冷卻管組
13	ENGINE	引擎
14	MUFFLER	排氣管
15	FRAME	車架
16	FENDER	擋泥板
17	SWING ARM	A 臂，後叉
18	SEAT	座墊
19	FUEL TANK	汽油箱
20	SUSPENSION	避震器
21	FRONT WHEEL	前輪
22	REAR WHEEL	後輪
23	FRONT BRAKE SYSTEM	前煞車系統
24	REAR BRAKE SYSTEM	後煞車系統
25	HANDLE BAR	手把
26	BUMPER, FOOTREST	保護桿，置腳踏板
27	REAR WHEEL AXLE	後輪軸
28	STEERING	轉向系統
29	ELECTRICAL EQUIPMENT	電裝品
30	PACKING CASE,EXTERNAL	包裝外箱

"\*" & the gray area: not available

"N/A": This part is not in used for your sersion

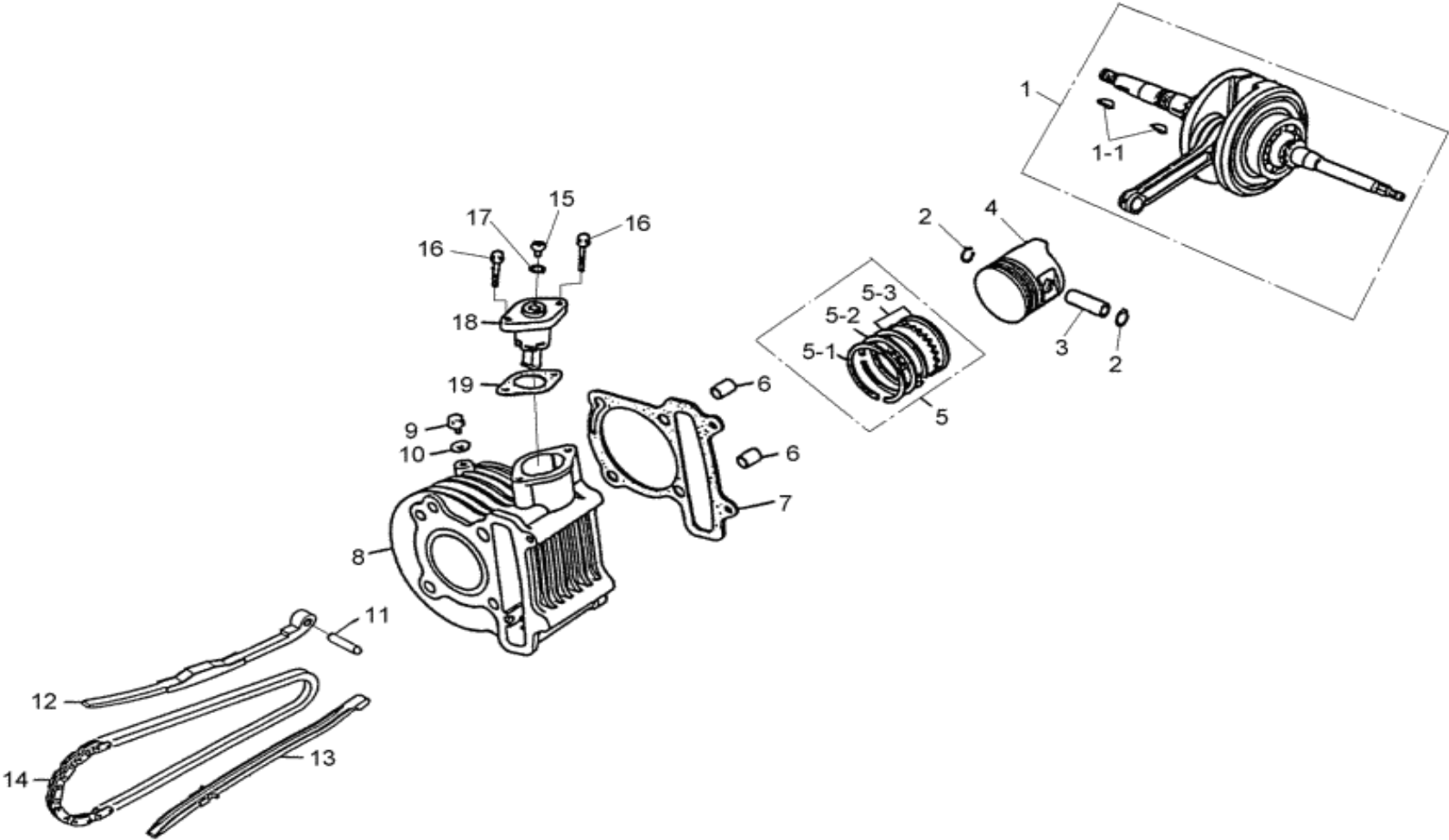
# 1. CRANK CASE \ L COVER \ SPINDLE ASSY



ITEM	PART NO.	NAME	Q'TY	品名	VIN /ENG NO	E.U
1		CRANK CASE, L COVER, SPINDLE ASSY				
1-1	A1200-V30-0900	CRANK CASE L	1	左曲軸箱		
1-2	I6100-62030	BEARING, BALL, RADIAL	1	NO:013 滾珠軸承		
1-3	I6100-62020	BEARING, BALL, RADIAL	1	NO:014 滾珠軸承		
1-4	I6100-62043	BEARING, BALL, RADIAL	1	NO:012 滾珠軸承		
1-5	B3411-V30-9000	SHAFT DRIVE(13T)	1	驅動軸		
1-6	I1202-A04-0000	OIL SEAL (20×32×6)	1	油封 (20×32×6)		
1-7	I4510-20000	CIRCLIP EX 20mm	1	NO:010 C型扣環		
1-8	I4608-09424	O-RING	1	NO:012 O型環		
1-9	I6150-62000-10	BEARING, BALL, RADIAL	1	NO:035 滾珠軸承		
1-10	A1103-V30-0000	RUB BUSH ENG HANGER	4	引擎吊架襯套		
1-11	A8255-V30-0000	BOSS (A)	1	襯套(A)		
1-12	I4301-08140	DOWEL PIN (8×14)	2	NO:008 定位銷		
1-13	I0032-08208-0H	STUD BOLT (B)	2	NO:005 汽缸螺栓(B)		
1-14	I0031-08200-0H	STUD BOLT (A)	2	NO:007 汽缸螺栓(A)		
1-15	A1100-V30-0900	CRANK CASE COMP (R) (SC150-V3)	1	右曲軸箱(油冷)		
1-16	I6001-06050-0H	BOLT FLANGE	2	NO:005 六角帶頭螺栓		
1-17	I1201-A04-9000	OIL SEAL (19.8×30.5)	1	油封 (19.8×30.5)		
1-18	I4608-10720	O-RING	1	NO:025 O型環		
1-19	I4608-06017	O-RING	2	NO:031 O型環		
1-20	A1207-A14-0001	PLATE CRANK CASE L	1	左曲軸箱板		
1-21	I6001-06020-0H	BOLT FLANGE	2	NO:001 六角帶頭螺栓		
1-22	I4104-12120	WASHER	2	NO:049 平墊圈		
1-23	I2800-12015-0C	DRAIN PLUG BOLT	2	NO:002 洩油塞頭螺栓		
1-24	B4305-V30-0000	BOLT, FIXED CATCH	1	檔位固定螺栓		
1-25	I4104-14210	WASHER	1	NO:057 平墊圈		
1-26	B4306-V30-0000	SPRING FIXED CATCH	1	檔位固定彈簧		
1-27	B4307-V30-0000	BALL BEARING	1	鋼珠		
1-28	A1206-V30-0000	CONNECTER TUBE BREATHER	1	排水管接頭		
1-29	A7232-V30-0000	DRAIN TUBE	1	排水管		
1-30	A1192-A08-0000	GASKET CRANK CASE	1	曲軸箱墊片		
1-31	I4104-10010	WASHER	1	NO:058 平墊圈		

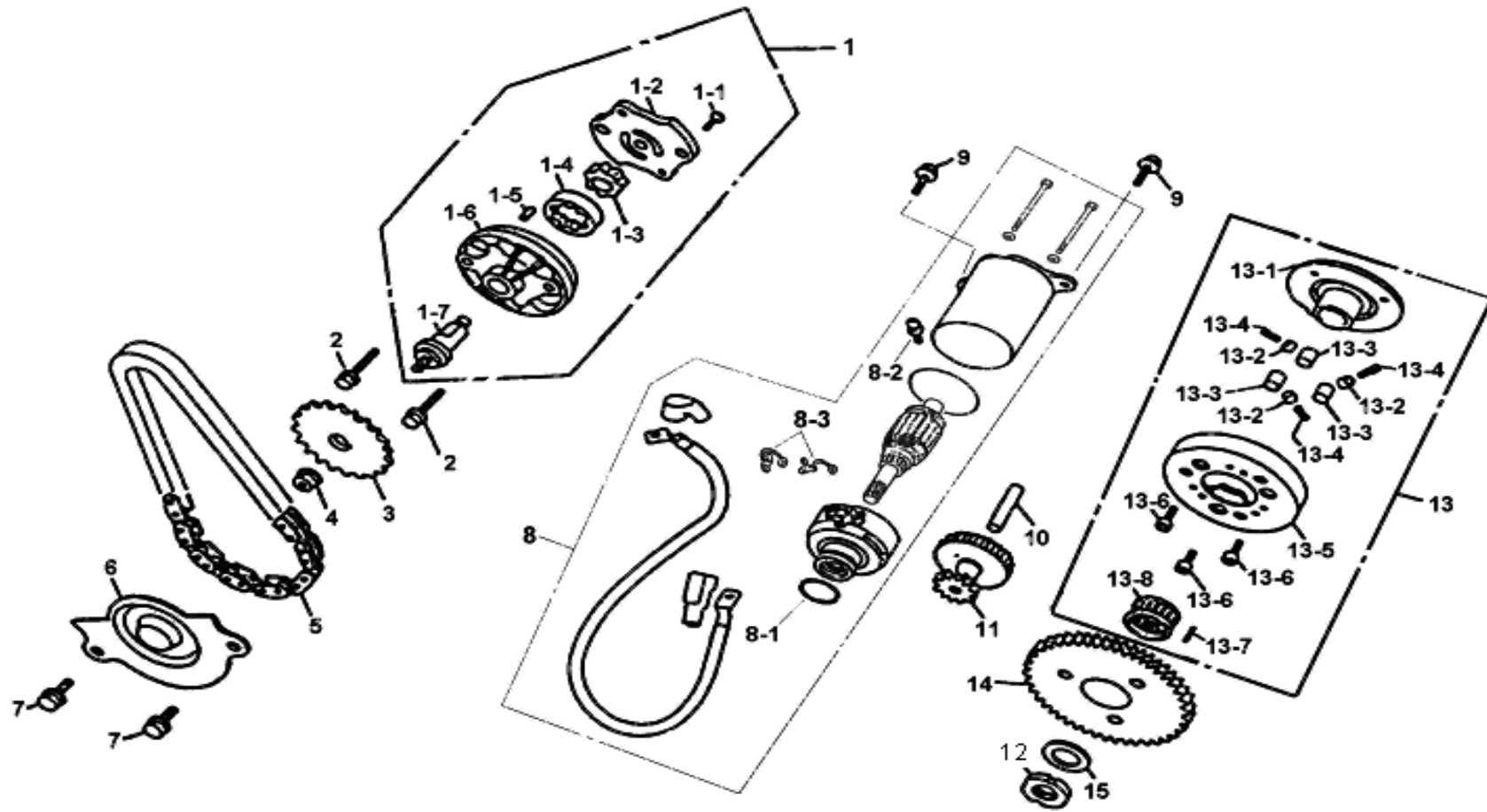
ITEM	PART NO.	NAME	Q'TY	品名	VIN /ENG NO	E.U
1		CRANK CASE, L COVER, SPINDLE ASSY.				
1-32	C5750-V30-0000	NEUTRAL SWITCH ASSY	1	空檔接點開關組		
*1-32-1	C5752-V30-0000	NEUTRAL SWITCH CONNECTER	1	空檔開關接頭		
*1-32-2	I3500-04006	SCREW, CROSS RECESS HEAI	1	圓頭十字螺絲		
*1-32-3	C5751-V30-0000	WIRING COMP	1	接線組		
1-33	I4301-10140	DOWEL PIN (10×14)	2	NO:009 定位銷		
1-34	A1341-V30-0300	COVER CRANK CASE L	1	左曲軸箱側蓋		
1-35	A1395-V30-0000	GASKET COVER CRANK CASE	1	左曲軸箱側蓋墊片		
1-36	I6001-06040-0C	BOLT, HEXAGON HEAD	7	NO:024 六角帶頭螺栓		
1-37	I6001-06040-0H	BOLT, HEXAGON HEAD	1	NO:004 六角帶頭螺栓		
1-38	B825A-V30-0000	SPINDLE ASSY. KICK STARTER	1	起動軸總成		
1-38-1	B8250-A14-0001	SPINDLE COMP KICK STARTER	1	起動軸組		
1-38-2	B8281-A14-0000	SPINDLE KICK RETURN	1	起動桿彈簧		
1-38-3	B8253-V30-0000	BUSH KICK SPINDLE	1	起動軸襯套		
1-38-4	I4608-13824A	O-RING	1	NO:046 O 型環		
1-39	I4104-14520A	WASHER	1	NO:025 平墊圈		
1-40	I4510-14000	CIRCLIP EX	1	NO:002 C 型扣環		
1-41	B823A-A14-0001	GEAR ASSY .STARTER IDLE	1	起動惰輪總成		
*1-41-1	B8230-A14-0001	GEAR COMP KICK DRIVEN	1	起動惰齒輪組		
*1-41-2	B8223-A14-0000	SPG KICK DRIVEN GEAR	1	起動摩擦彈簧		
1-42	I4102-10505	WASHER	1	NO:052 平墊圈		
1-43	B8300-V30-9000	ARM ASSY. KICK STARTER	1	起動桿組		
1-44	I5701-06035-0C	BOLT , HEXAGON HEAD	1	NO:012 六角帶頭螺栓		
1-45	I4104-06515A	WASHER	1	NO:085 平墊圈		
1-46	I6001-06012-0H	BOLT , HEXAGON HEAD	1	NO:030 六角帶頭螺栓		
1-47	A1106-A00-0000	CONNECTER TUBE BREATHER	1	呼吸管接頭		
1-48	A1221-V30-0000	TUBE BREATHER	1	呼吸管		
1-49	A1382-E1A-9000	CLAMPER BRAKE CABLE	1	煞車導線夾		

# 2. CRANK SHAFT 、 PISTON 、 CYLINDER 、 TENSIONER



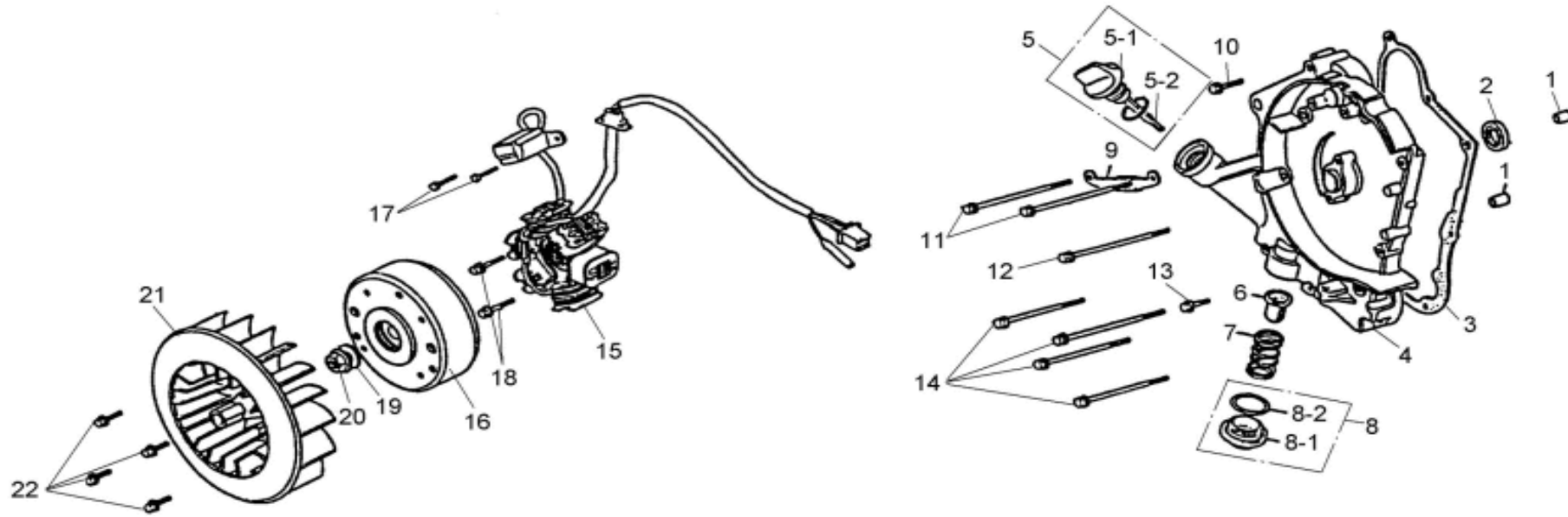
ITEM	PART NO.	NAME	Q'TY	品名	VIN /ENG NO	E.U
2		CRANKSHAFT, PISTON, CYLINDER, TENSIONER				
2-1	A3000-V30-0001	CRANK SHAFT COMP	1	曲柄軸組		
2-1-1	I4401-25046	WOODRUFF KEY	2	NO:001 半圓鍵		
2-2	I4601-15000	CLIP,PISTON PIN 15mm	2	NO:001 活塞銷扣環		
2-3	A3111-A08-0000	PIN,PISTON	1	活塞銷		
2-4	A3101-A08-0000	PISTON	1	活塞		
2-5	A3011-A08-0000	RING SET,PISTON	1	活塞環組		
*2-5-1	A3121-A08-0000	RING PISTON TOP	1	第一活塞環		
*2-5-2	A3131-A08-0000	RING PISTON 2ND	1	第二活塞環		
*2-5-3	A3141-A08-0000	RING PISTON OIL	1	刮油活塞環		
2-6	I4301-10140	PIN DOWEL (10×14)	2	NO:009 定位銷		
2-7	A2191-A08-0000	GASKET CYLINDER	1	汽缸墊片		
2-8	A2100-A08-0000	CYLINDER COMP	1	汽缸組		
2-9	I5801-06012-0C	BOLT, HEXAGON HEAD	1	NO:022 六角帶頭螺栓		
2-10	I4104-06512	WASHER	1	NO:043 平墊圈		
2-11	I4301-06240	KNOCK PIN	1	NO:012 定位銷		
2-12	A4510-A04-0000	TENSIONER CAM CHAIN	1	鏈條張力導板		
2-13	A4610-A04-0000	GUIDE COMP CAM CHAIN	1	鏈條導板		
2-14	A4401-A07-0000	CHAIN CAM	1	凸輪軸驅動鏈條		
2-15	I3700-06005	SCREW, OVAL TAP	1	NO:001 扁圓頭十字螺絲		
2-16	I6001-06020-0H	BOLT , HEXAGON HEAD	2	NO:001 六角帶頭螺栓		
2-17	I4608-09515	O-RING	1	NO:019 O型環		
2-18	A4520-A04-0000	LIFTER ASSY .TENSIONER	1	鏈條調整器		
2-19	A4523-A04-0000	GASKET TENSIONER LIFTER	1	鏈條調整器墊片		

### 3.OIL PUMP 、 STARTONG MOTOR



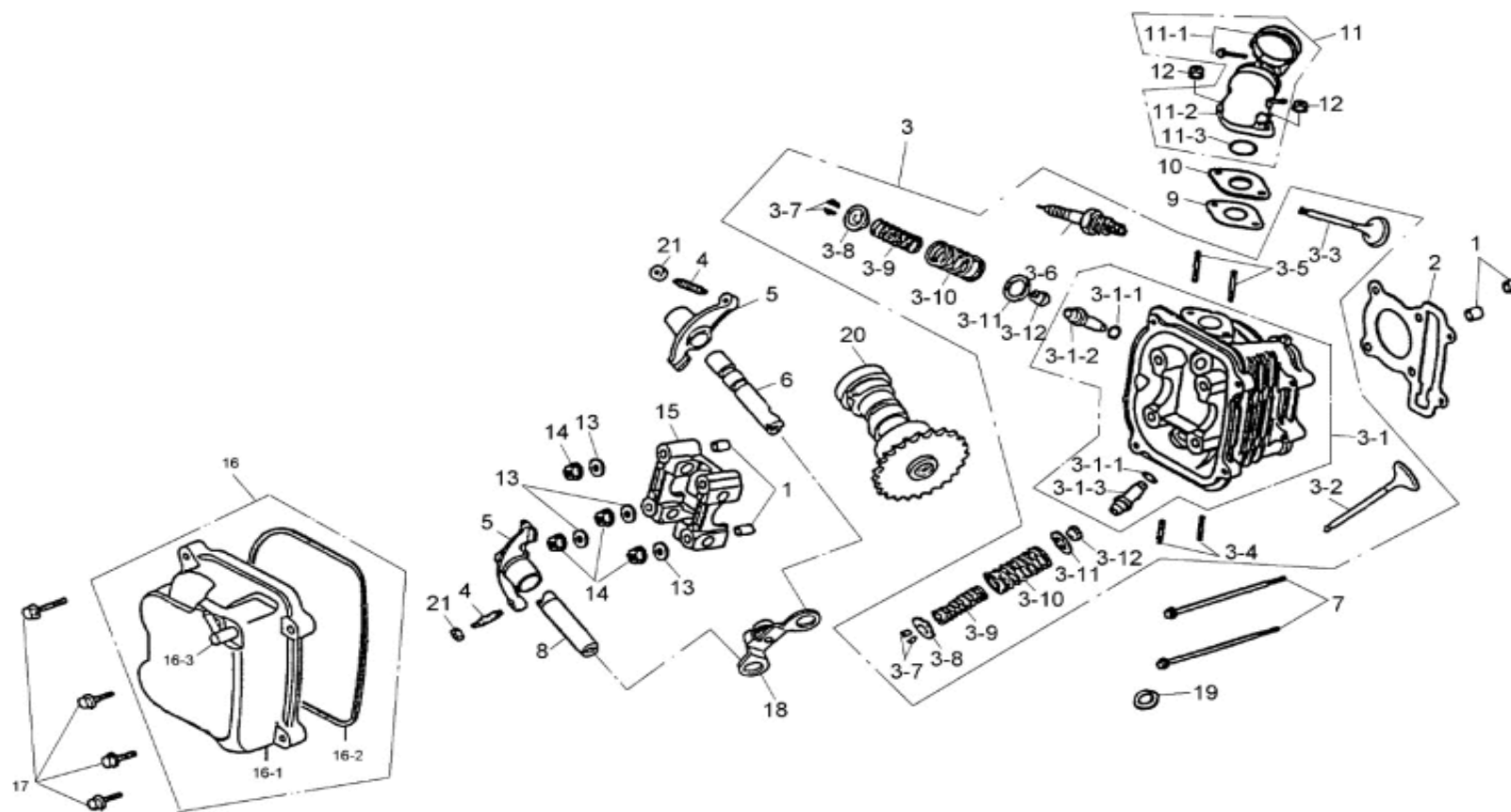
ITEM	PART NO.	NAME	Q'TY	品名	VIN /ENG NO	E.U
3		OIL PUMP, STARTING MOTOR				
3-1	A5100-A07-0000	PUMP ASSY. OIL	1	機油泵總成		
*3-1-1	I3500-03010-0G	SCREW,CROSS RECESS HEAD (3×10)	1	NO:001 圓頭十字螺絲3×10		
*3-1-2	A5116-A04-0000	PLATE OIL PUMP	1	機油泵底板		
*3-1-3	A5331-A07-0000	ROTOR OIL PUMP INNER	1	機油泵內轉子		
*3-1-4	A5332-A07-0000	ROTOR OIL PUMP OUTER	1	機油泵外轉子		
*3-1-5	I4303-04065	PIN C DOWEL (4×6.5)	1	NO:006 定位銷		
*3-1-6	A5101-A07-0000	BODY OIL PUMP	1	機油泵本體		
*3-1-7	A5132-A04-0000	SHAFT OIL PUMP	1	機油泵軸		
3-2	I3600-06030-0H	SCREW ,CROSS RECESS HEAI	2	NO:003 平頭十字螺絲		
3-3	A5133-A04-0000	SPROCKET OIL PUMP DRIVEN	1	機油泵驅動鏈輪		
3-4	I4050-0600G	NUT 6mm	1	螺帽6mm		
3-5	A5141-A04-0000	CHAIN OIL PUMP	1	機油泵驅動鏈條		
3-6	A5711-A04-0000	SEPARATOR OIL	1	分油器		
3-7	I6001-06012-0H	BOLT, HEXAGON HEAD	2	NO:030 六角帶頭螺栓		
3-8	C1200-V30-0000	MOTOR ASSY.START	1	起動馬達組		
3-8-1	I1309-24031	O-RING (24.4×3.1)	1	O型環24.4×3.1		
3-8-2	I3892-04006-08	SCREW WASH (4×6)	2	螺絲附墊圈4×6		
3-8-3	C1221-A04-0000	CARBON BRUSH	2	碳刷		
3-9	I6001-06016-0C	BOLT , HEXAGON HEAD	2	NO:029 六角帶頭螺栓		
3-10	B8102-A04-0000	SHAFT STARTER REDUCTION GEAR	1	起動減速齒輪軸		
3-11	B8101-A04-0000	GEAR STARTER REDUCTION	1	起動減速齒輪		
3-12	I0231-A04-0000	NUT LOCK	1	鎖緊螺帽		
3-13	B812A-A04-0000	OUTER ASSY .STARTING CLUTCH	1	單向傳動器總成		
3-13-1	B8125-A04-0000	FLANGE STARTING CLUTCH	1	起動離合器凸緣		
3-13-2	B8124-A04-0000	CAP STARTING CLUTCH ROLLER SPRING	3	滾子彈簧蓋		
3-13-3	I6220-A0100	ROLLER	3	NO:003 滾筒		
3-13-4	B8127-A04-0000	SPRING STARTING CLUTCH ROLLER	3	滾子彈簧		
3-13-5	B8120-A04-0000	OUTER COMP STARTING CLUTCH	1	單向傳動器本體組		
3-13-6	I0001-06012	BOLT, SOCKET PAN 6×12	3	圓頭承窩螺栓		
3-13-7	I4303-05060	KNOCK PIN	1	NO:005 定位銷		
3-13-8	I1110-2832168	BEARING, NEEDLE	1	NO:012 滾針軸承		
3-14	B8110-A04-0000	GEAR COMP STARTING CLUTCH	1	起動離合器齒輪組		
3-15	I4104-22225	WASHER	1	NO:047 平墊圈		

## 4. RIGHT CRAANK CASE COVER, GENERATOR



ITEM	PART NO.	NAME	Q'TY	品名	VIN /ENG NO	E.U
4		RIGHT CRAANK CASE COVER, GENERATOR				
4-1	I4301-08140	PIN DOWER (8×14)	2	NO:008 定位銷		
4-2	I1201-A04-9000	OIL SEAL (19.8×30×5)	1	油封(19.8×30×5)		
4-3	A1394-A04-0000	GASKET R CRANK CASE COVER	1	右曲軸箱側蓋墊片		
4-4	A1331-V30-0900	COVER R CRANK CASE	1	右曲軸箱側蓋		
4-5	A5650-A04-0000	GAUGE ASSY. OIL LEVEL	1	機油尺組		
4-5-1	A5651-A04-0000	GAUGE OIL LEVEL	1	機油尺		
4-5-2	I4608-12625	O-RING (18×3.5)	1	NO:020 O型環		
4-6	A5421-A00-0000	SCREEN,OIL FILTER	1	濾油網		
4-7	A5426-A04-0000	SPRING OIL FILTER SCREEN	1	濾油網彈簧		
4-8	A2360-A04-0001	HOLE CAP TAPPET ASSY.	1	調整塞頭組		
4-8-1	A2361-A04-0000	CAP TAPPET ADJUSTING HOLE	1	濾油網調整塞頭		
4-8-2	I4608-30832	O-RING	1	NO:017 O型環		
4-9	C2961-A04-0000	CLAMPER A.C.G GENERATOR	1	A.C.G線夾		
4-10	I6001-06040-0C	BOLT , HEXAGON HEAD	1	NO:024 六角帶頭螺栓		
4-11	I6001-06110-0C	BOLT , HEXAGON HEAD	2	NO:026 六角帶頭螺栓		
4-12	I6001-06100-0H	BOLT , HEXAGON HEAD	1	NO:010 六角帶頭螺栓		
4-13	I6001-06032-0H	BOLT , HEXAGON HEAD	1	NO:009 六角帶頭螺栓		
4-14	I6001-06095-0C	BOLT , HEXAGON HEAD	4	NO:025 六角帶頭螺栓		
4-15	C1120-V30-9000	STARTOR COMP(CDI)	1	定子線圈		
4-16	C1110-V30-0000	FLYWHEEL COMP	1	飛輪組		
4-17	I3412-05014-0H	BOLT, HEXAGON HEAD WITH WASHER(5×14)	2	NO:001 六角螺栓+波形墊圈		
4-18	I6001-06020-0H	BOLT , HEXAGON HEAD	2	NO:001 六角帶頭螺栓		
4-19	I4104-12522	WASHER	1	NO:046 平墊圈		
4-20	I4050-12110-0H	NUT , HEXAGON HEAD	1	NO:001 六角帶頭螺帽		
4-21	A9510-A04-0000	FAN COMP COOLING	1	冷卻風扇組		
4-22	I6001-06018-0H	BOLT , HEXAGON HEAD	4	NO:007 六角帶頭螺栓		

## 5. HEAD COVER 、 HEAD 、 CAM SHAFT 、 VALVE



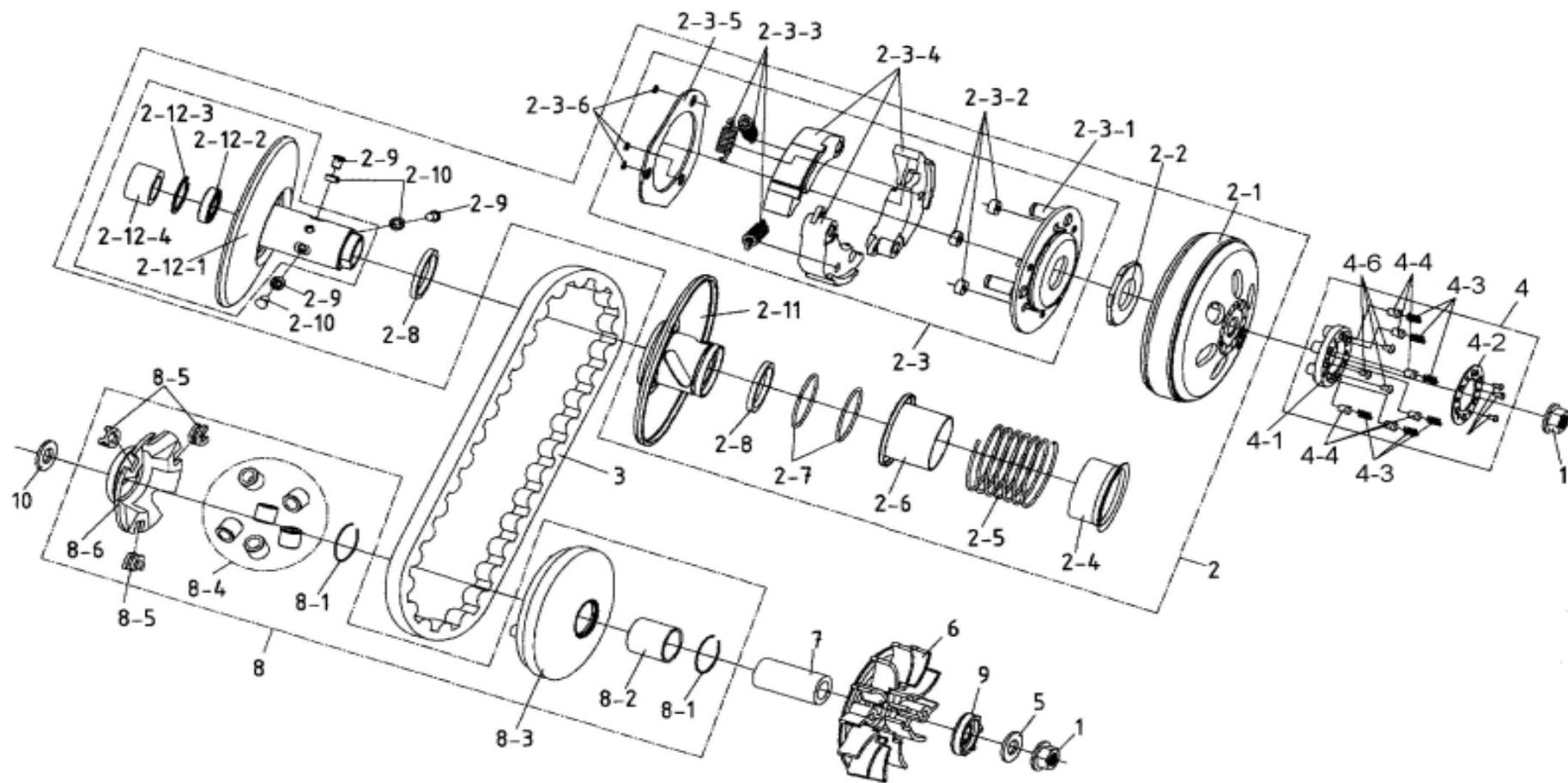
ITEM	PART NO.	NAME	Q'TY	品名	VIN /ENG NO	E.U
5		COVER HEAD, HEAD, CAM SHAFT, VALVE				
5-1	I4301-10140	DOWEL PIN (10×14)	4	NO:009 定位銷		
5-2	A2251-A08-0000	GASKET CYLINDER HEAD	1	汽缸頭墊片		
5-3	A220A-A08-0001	HEAD CYLINDER ASS'Y	1	汽缸頭總成		
5-3-1	A2200-A08-0001	HEAD COMP CYLINDER	1	汽缸頭組		
*5-3-1-1	I4608-09016	O-RING	2	NO:018 O 型環		
*5-3-1-2	A2237-A04-0000	GUIDE IN VALVE	1	進氣閥導管		
*5-3-1-3	A2245-A04-0000	GUIDE EX VALVE	1	排氣閥導管		
5-3-2	A4721-A08-0000	VALVE EXHAUST	1	排氣閥		
5-3-3	A4711-A08-0000	VALVE INLET	1	進氣閥		
5-3-4	I2900-06016-0A	STUD BOLT	2	NO:003 螺椿		
5-3-5	I2900-06050-0A	STUD BOLT	2	NO:001 螺椿		
5-3-6	I8000-V30-0000	SPARK PLUG (CR7HSA)	1	火星塞 (CR7HSA)		
5-3-7	A4781-A04-0000	COTTER VALVE	4	鍍鍵		
5-3-8	A4771-A04-0000	RETAINER VALVE SPG	2	閥彈簧固定片		
5-3-9	A4761-A07-0000	SPG VALVE INNER	2	閥門彈簧(內)		
5-3-10	A4751-A07-0000	SPG VALVE OUTER	2	閥門彈簧(外)		
5-3-11	I4104-16508	SEAT VALVE SPG OUTER	2	NO:071 平墊圈		
5-3-12	A2209-A04-0000	SEAL VALVE STEM	2	閥頭油封		
5-4	I0012-A04-0000	SCREW TAPPET ADJUSTING	2	間隙調整螺絲		
5-5	A4431-A07-0001	ARM VALVE ROCKER	2	進氣搖臂		
5-6	A4450-A04-0000	SHAFT COMP IN ROCKET ARM	1	進氣閥搖臂軸組		
5-7	I6001-06100-0H	BOLT, HEXAGON HEAD	2	NO:010 六角帶頭螺栓		
5-8	A4452-A04-0000	SHAFT EX ROCKET ARM	1	排氣閥搖臂軸		

ITEM	PART NO.	NAME	Q'TY	品名	VIN NO	E.U
5		COVER HEAD, HEAD, CAM SHAFT, VALVE				
5-9	A6201-A04-0000	GASKET CARB INSULATOR	1	隔熱板墊片		
5-10	A6211-A04-0000	INSULATOR CARB	1	化油器隔熱板		
5-11	A711A-V30-0000	PIPE ASSY. INLET	1	化油器接頭總成		
5-11-1	A7256-V30-0000	BAND INSULATOR	1	連接管固定帶		
5-11-2	A7110-A07-0000	PIPE COMP INLET	1	化油器接頭組		
5-11-3	I4608-27020	O-RING	1	NO:016 O型環		
5-12	I4050-0600G	NUT FLANGE 6mm(c)	2	螺帽6mm		
5-13	I4101-08523	WASHER	4	NO:054 平墊圈		
5-14	I4050-08075-0H	NUT, HEXAGON HEAD	4	NO:002 六角帶頭螺帽		
5-15	A2211-A04-0000	HOLDER SHAFT	1	凸輪軸座		
5-16	A230A-A04-0000	COVER ASSY. HEAD	1	汽缸頭蓋總成		
5-16-1	A2301-A04-0001	COVER HEAD	1	汽缸頭蓋		
5-16-2	A2391-A04-0000	GASKET COVER HEAD CYLINDER	1	汽缸頭蓋墊片		
5-16-3	A2305-A04-0000	JOINT COMP BREATHER	1	接頭組		
5-17	I6001-06025-0C	BOLT, HEXAGON HEAD	4	NO:022 六角帶頭螺栓		
5-18	A4150-A04-0000	PLATE COMP STOPPER	1	制止片組		
5-19	A8291-A04-0000	GASKET EXHAUST PIPE	1	排氣管墊片		
5-20	A4100-A07-0001	SHAFT COMP CAM	1	凸輪軸組		
5-21	I4001-050K0	NUT HEXAGON HEAD	2	NO:007 六角螺帽		



ITEM	PART NO.	NAME	Q'TY	品名	VIN /ENG NO	E.U
6		FAN COVER, SHROUD				
6-1	A9620-A07-0001	SHROUD COMP A	1	罩蓋A組		
6-1-1	A9621-A07-0000	SHROUD A	1	罩蓋A		
6-1-2	A9625-A04-0000	SEAL SHROUD A	1	密封墊圈(A)		
6-2	A963A-V30-0001	SHROUD COMP B	1	罩蓋B組總成		
6-2-1	A9630-V30-0000	SHROUD COMP B	1	罩蓋B組		
6-2-2	A9635-A04-0000	SEAL SHROUD B	1	密封墊圈(B)		
6-2-3	A1384-V30-0000	CLAMPER BREATHER TUBE	1	通氣管夾		
6-2-4	A9633-A04-0000	GROMMET SHROUD(B)	1	索環(B)		
6-3	A961A-V30-0000	COVER ASSY. FAN	1	冷卻風扇蓋總成		
6-3-1	A9610-V30-0000	COVER COMP FAN	1	冷氣風扇蓋組		
6-3-2	G0529-A04-0000	GROMMEET B SIDE PANEL	1	橡皮塞		
6-3-3	A9615-A04-0000	DUCT CARBURETOR COOLING	1	化油器冷卻導管		
6-3-4	H7541-V30-0000	LABEL OIL CAP	1	機油油量標籤		
6-3-5	G0529-V30-0000	GROMMEET B SIDE PANEL	1	橡皮塞		
6-3-6	A9616-V30-0000	DUCT INLET	1	進氣導管		
6-3-7	I3902-304B0	SELF-TAPPING SCREW	3	圓頭十字自攻螺絲		
6-3-8	I4101-04508	WASHER	3	平墊圈		
6-4	I3904-316B0	BOLT, HEXAGON HEAD TAPPING	2	NO:001 六角帶頭十字自攻螺絲		
6-5	I3500-05025-0G	SCRW,BUTTON HEAD CAP	2	NO:009 圓頭螺絲		
6-6	A1385-V30-0000	CLAMPER CARB DRAIN TUBE	1	溢油管夾		
6-7	I6001-06025-0C	BOLT,HEXAGON HEAD	3	NO:022 六角帶頭螺絲		

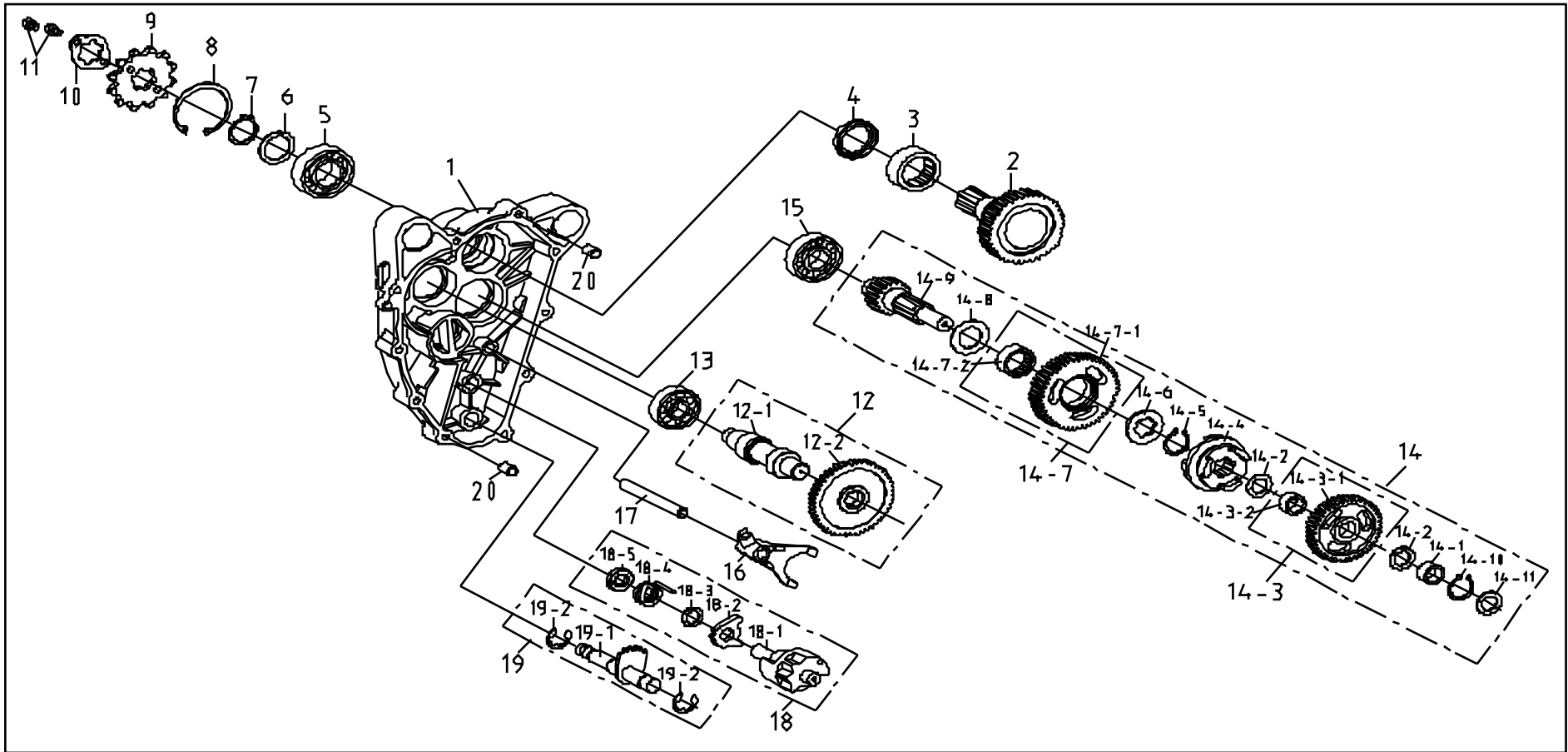
## 7. DRIVEN PULLEY (CVT)



ITEM	PART NO.	NAME	Q'TY	品名	VIN /ENG NO	E.U
7		DRIVEN PULLEY (CVT)		驅動皮帶輪		
7-1	I4050-12110-0H	NUT , HEXAGON HEAD	2	NO:001 六角帶頭螺帽		
7-2	B301A-V30-9000	PULLEY ASSY. DRIVEN	1	CVT從動輪總成		
7-2-1	B2101-A04-9000	OUTER CLUTCH	1	離合器外殼		
7-2-2	I0202-A04-9000	NUT SPECIAL 28 mm	1	特殊螺帽28 mm		
7-2-3	B2300-V30-0000	PLATE ASSY. DRIVEN	1	驅動板組(離合器總成)		
*7-2-3-1	B2350-A04-0000	PLATE COMP DRIVE	1	驅動板(離合器壓板總成)		
*7-2-3-2	B2804-A04-0000	RUBBER CLUTCH DAMPER	3	離合器滾柱		
*7-2-3-3	B2401-A04-0000	SPRING CLUTCH	3	離合器彈簧		
*7-2-3-4	B2530-V30-0000	WEIGHT SET CLUTCH	1	離合器配重		
*7-2-3-5	B2361-A04-0000	PLATE CLUTCH SIDE	1	離合器側板		
*7-2-3-6	I0605-A04-0000	CIR CLIP 7 mm	3	環夾7 mm		
7-2-4	B3238-A04-0000	COLLAR SPRING	1	彈簧襯環		
7-2-5	B3233-A08-0000	SPRING DRIVER FACE	1	CVT彈簧		
7-2-6	B3237-A04-0000	COLLAR SEAL	1	油封套筒(密封環)		
7-2-7	I1351-A04-0000	O-RING PINION CAP	2	O型環		
7-2-8	I1211-A04-0000	SEAL DRIVEN FACE (34×41×4)	2	油封		
7-2-9	B3225-A04-0000	PIN ROLLER GUIDE	3	CVT從動輪銷		
7-2-10	B3226-A04-0000	ROLLER GUIDE	3	滾柱		
7-2-11	B3220-A04-0000	FACE COMP MOVABLE DRIVEN	1	C.V.T被動輪組		
7-2-12	B3200-A04-0000	FACE COMP DRIVEN	1	C.V.T從動輪組		
*7-2-12-1	B3210-A04-0000	FACE DRIVEN	1	從動皮帶盤		
*7-2-12-2	I1002-A04-69020	BEARING BALL REDIAL 6902U	1	軸承 6902U		
*7-2-12-3	I4520-28000	CIR CLIP IN 28 mm	1	NO:001 C型扣環		
*7-2-12-4	I1001-A04-0000	BEARING NEEDLE 20×29×18	1	滾針軸承		
7-3	B3100-A07-0000	BELT DRIVE	1	驅動皮帶		

ITEM	PART NO.	NAME	Q'TY	品名	VIN /ENG NO	E.U
7		DRIVEN PULLEY (CVT)		驅動皮帶輪		
7-4	B3240-V30-0000	DISK CLUTCH FRICTON COMP	1	摩擦片組		
7-4-1	B3241-V30-0000	STOPPER PUMP	1	固定座		
7-4-2	B3242-V30-0000	STOPPER	1	蓋板		
7-4-3	B3243-V30-0000	CLUTCCH	6	彈簧		
7-4-4	B3244-V30-0000	BRAKE LINING	6	來令塊		
7-4-5	I3501-V30-0000	SCREW BUTTON HEAD CAP	3	圓頭內六角螺絲		
7-4-6	I3502-V30-0000	SCREW BUTTON HEAD CAP	3	圓頭內六角螺絲		
7-5	I4104-15023	WASHER	1	平墊圈		
7-6	B2102-A14-0000	FACE DRIVE	1	CVT風扇		
7-7	B2105-A04-0000	BOSS DRIVE FACE	1	襯套		
7-8	B2110-A08-0000	FACE ASSY. MOVABLE DRIVE	1	主動輪總成(前CVT)		
7-8-1	I4601-28000	CLIP 28 mm	2	NO:004 活塞銷扣環		
7-8-2	B2112-A04-0000	BOSS FACE MOVABLE DRIVE	1	C.V.T主動輪套筒		
7-8-3	B2111-A04-0000	FASE COMP MOVABLE DRIVE	1	CVT主動輪		
7-8-4	B2121-A08-0000	ROLLER SET WEIGHT	6	配重滾子		
7-8-5	B2132-A04-0000	PIECE SLIDE	3	C.V.T滑槽片		
7-8-6	B2131-A04-0000	PLATE RAMP	1	C.V.T滾柱導板		
7-9	B8211-A14-0002	RATCHET KICK STARTER	1	起動棘輪		
7-10	I4104-15104	WASHER	1	NO:083 平墊圈		

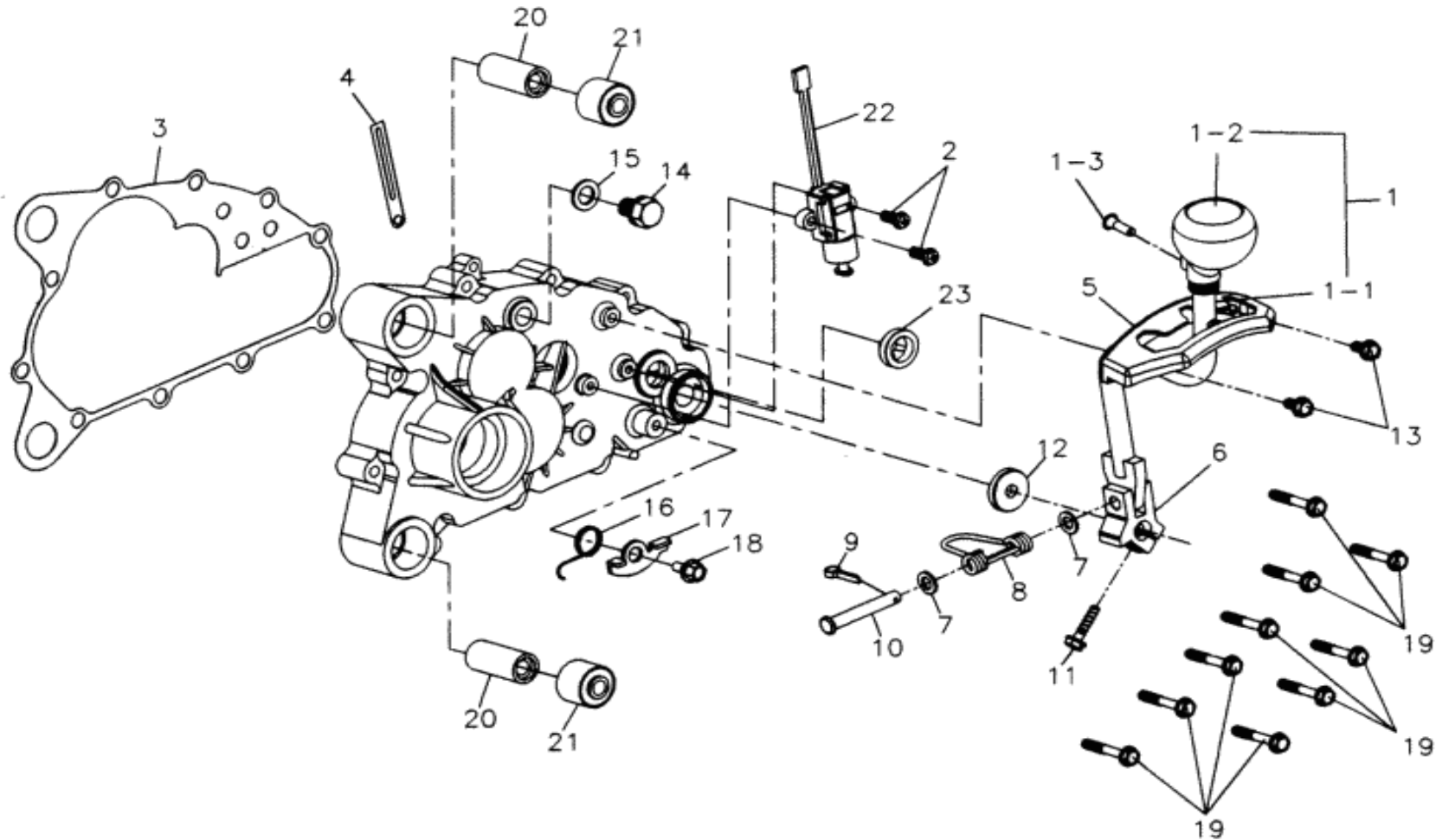
## 8. TRANSMISSION



ITEM	PART NO.	NAME	Q'TY	品名	VIN /ENG NO	E.U
8		TRANSMISSION		傳動系		
8-1	B1300-V30-0900	COVER MISSION	1	齒輪箱蓋		
8-2	B3430-V30-0000	SHAFT FINAL COMP(40T)	1	最終軸組		
8-3	I1130-304217	BEARING, NEEDLE	1	NO:020 滾針軸承		
8-4	I1201-V30-0000	OIL SEAL (30×40×5)	1	油封 (30×40×5)		
8-5	I6150-62053-10	BEARING, BALL, RADIAL	1	NO:036 滾珠軸承		
8-6	I4104-25210	WASHER	1	NO:060 平墊圈		
8-7	I4510-25000	CIRCLIP EX 25mm	1	NO:008 C型扣環		
8-8	I4520-52000	CIRCLIP IN 52mm	1	NO:003 C型扣環		
8-9	B3801-V30-8000	SPROCKET DRIVE (15T)	1	傳動鏈輪(15T)		
8-10	B3811-V30-0000	PLATE A2 FIXING	1	鏈輪固定片		
8-11	I2201-06010-0C	BOLT FLANGE	2	NO:012 六角螺絲		
8-12	B3420-V30-9000	COUNTER SHAFT COMP	1	中間軸組		
*8-12-1	B3421-V30-0000	SHAFT COUNTER (15T)	1	中間軸(15T)		
*8-12-2	B3422-V30-9000	GEAR COUNTER (41T)	1	中間齒輪(41T)		
8-13	I6100-63020	BRG RADIAL BALL	1	NO:034 滾珠軸承		
8-14	B3250-V30-9000	SHAFT GEAR SHIFT COMP	1	變檔軸組		
*8-14-1	B3213-V30-0001	COLLAR SHAFT	1	軸套		
*8-14-2	I4104-15110	WASHER	2	NO:062 平墊圈		
*8-14-3	B3440-V30-0000	SPUR GEAR ASSY (36T)	1	正檔齒輪組 (36T)		
*8-14-3-1	B3441-V30-9000	SPUR GEAR (36T)	1	正檔齒輪(36T)		
*8-14-3-2	B8113-V30-9000	COLLAR SHAFT	1	銅襯套		
*8-14-4	B3481-V30-0000	RATCHET SHIFT	1	變檔棘輪		
ITEM	PART NO.	NAME	Q'TY	品名	VIN /ENG NO	E.U

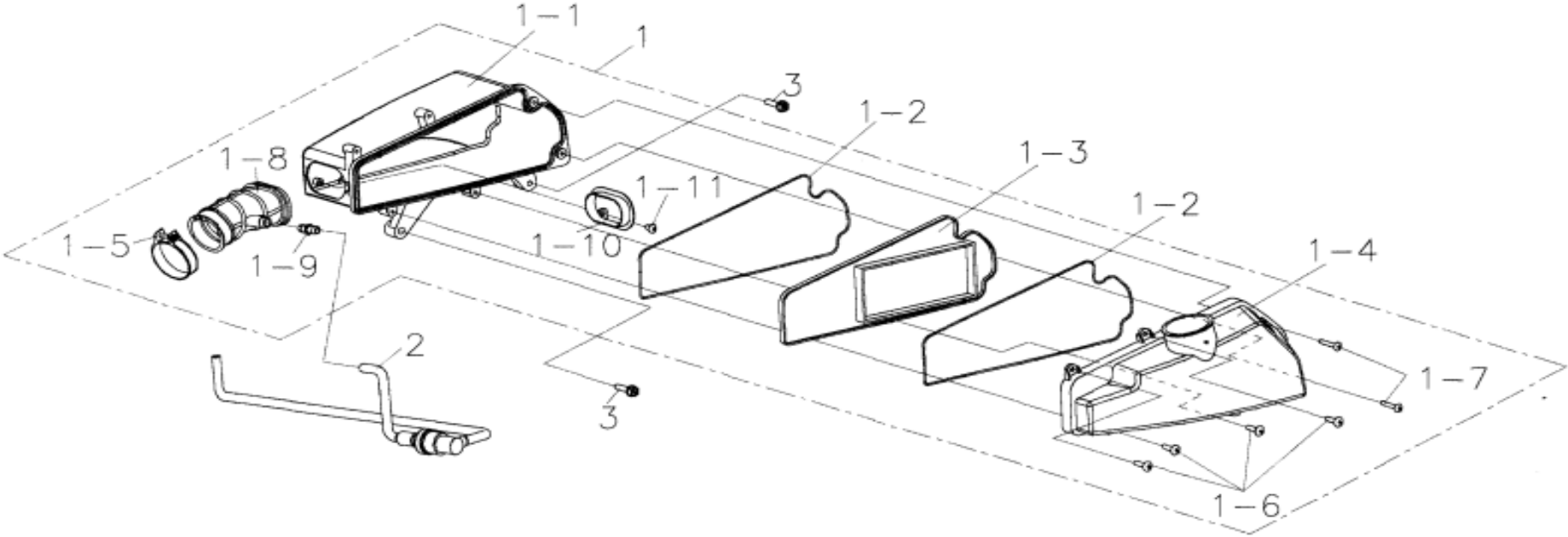
8		TRANSMISSION		傳動系
*8-14-5	I4510-22000	CIRCLIP EX 22mm	1	NO:007 C型扣環
*8-14-6	I0454-22030	WASHER B SPLINE	1	NO:007 栓槽墊圈
*8-14-7	B3460-V30-0000	REVERSE GEAR ASSY.	1	倒檔齒輪組
*8-14-7-1	B3461-V30-0000	REVERSE GEAR (49T)	1	倒檔齒輪 (49T)
*8-14-7-2	I1130-223013	BEARING, NEEDLE	1	NO:021 滾針軸承
*8-14-8	I4104-22010	WASHER	1	NO:061 平墊圈
*8-14-9	B3251-V30-9000	SHAFT MAIN TRANSMISSION (17T)	1	主傳動軸(17T)
8-14-10	I4540-15000	CIR CLIP	1	NO:004C型固定環
8-14-11	I4104-15010A	WASHER	1	NO:082C平墊圈
8-15	I6100-62043	BEARING, BALL, RADIAL	1	NO:012 滾珠軸承
8-16	B4231-V30-0000	FORK GEAR SHIFT	1	換檔叉片
8-17	B4241-V30-0000	SHAFT SHIFT FORK GUIDE	1	換檔叉軸
8-18	B4300-V30-0000	DRUM GEAR SHIFT COMP	1	換檔鼓組
*8-18-1	B4301-V30-0000	DRUM GEAR SHIFT	1	換檔鼓
*8-18-2	B4302-V30-0000	GEAR DRUM GEAR SHIFT	1	換檔鼓齒輪
*8-18-3	I4104-13110	WASHER	1	NO:063 平墊圈
*8-18-4	B4303-V30-0000	SPRING GEAR SHIFT RETURN	1	換檔鼓彈簧
*8-18-5	B4304-V30-0000	COLLAR SHAFT	1	軸套
8-19	B461A-V30-0000	SPINDLE SET GEAR SHIFT	1	換檔器總成
8-19-1	B4610-V30-0000	SPINDLE COMP GEAR SHIFT	1	換檔器組
8-19-2	I4540-1201A	CIRCLIP	2	NO:003 E型扣環
8-20	I4301-10140	PIN DOWEL 10×14	2	NO:009 定位銷

## 9. GEAR SHAFT LEVER - SAFETY SWITCH



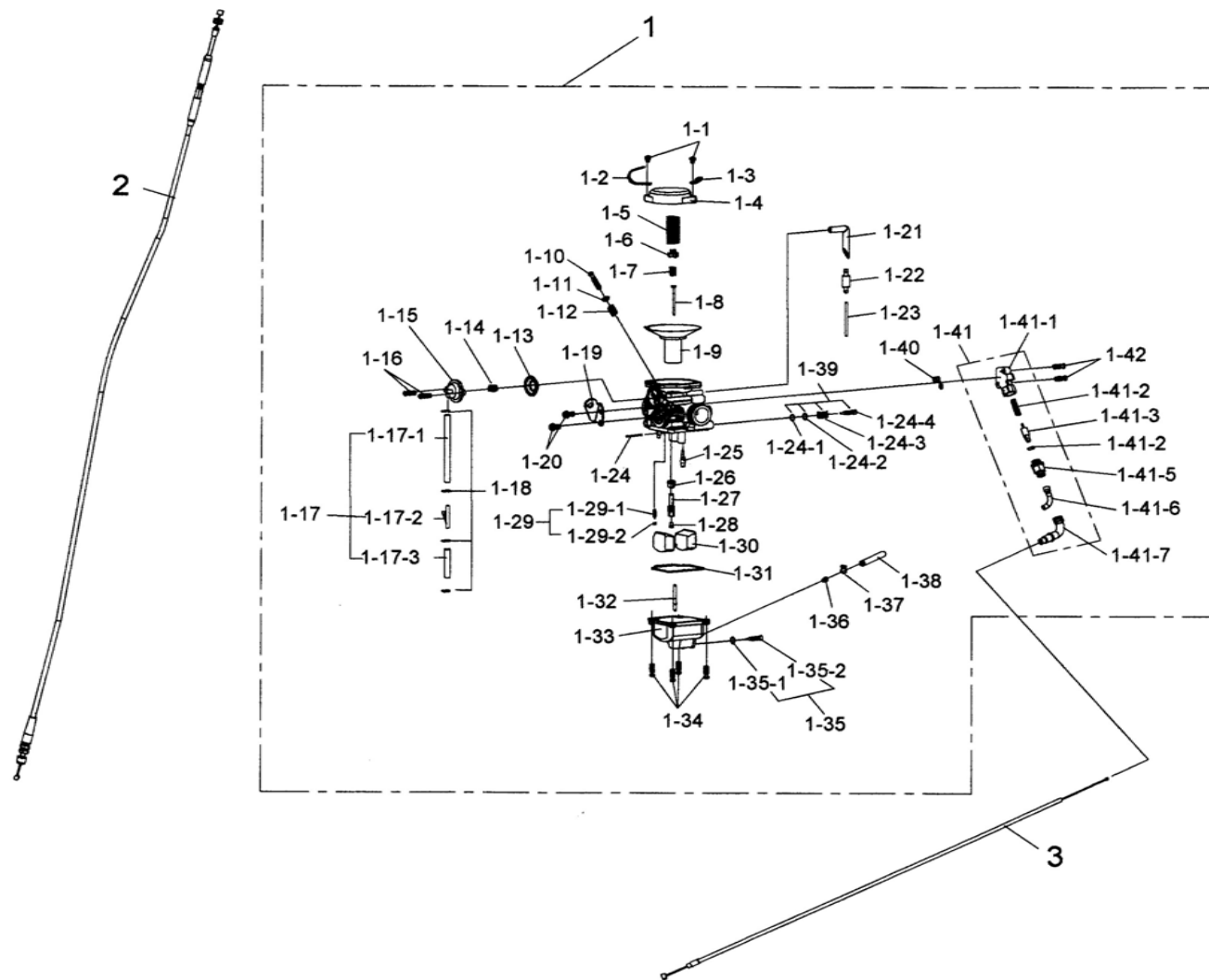
ITEM	PART NO.	NAME	Q'TY	品名	VIN /ENG NO	E.U
9		GEAR SHAFT LEVER, SAFETY SWITCH		變檔桿，安全開關		
9-1	B4640-V30-9000	ROD SHIFT	1	變檔桿組		
9-1-1	B4641-V30-0001	ROD SHIFT	1	變檔桿		
9-1-2	B4642-V30-9000	HANDLE PLASTICS	1	變檔把手		
9-1-3	I3600-06020-0G	SCREW,FLAT	1	NO:002 平頭十字螺絲		
9-2	I3892-05016-0C	SCREW WASHER	2	NO:005 圓頭十字螺絲+波形墊圈		
9-3	B1395-V30-0000	GASKET MISSION COVER	1	齒輪箱蓋墊片		
9-4	C2963-A09-0000	CLAMPER PULSER CORD	1	線夾		
9-5	B4622-V30-0000	FIXED SUPPORT CATCH	1	檔位固定座		
9-6	B4643-V30-0000	FIXED SUPPORT ROD COMP SHIFT	1	變檔桿固定座		
9-7	I4104-08515	WASHER	2	NO:064 平墊圈		
9-8	B4644-V30-0000	SPRING ROD COMP SHIFT	1	變檔桿彈簧		
9-9	I4201-46195	SPLIT PIN	1	NO:002 開口銷		
9-10	B4645-V30-0000	PIN	1	變檔桿銷		
9-11	I5701-06025-0C	BOLT FLANGE	1	NO:011 六角帶頭螺栓		
9-12	I1206-A00-0000	OIL SEAL (14×28×7)	1	油封 (14×28×7)		
9-13	I5801-06012-0C	BOLT, HEXAGON HEAD	2	NO:022 六角帶頭螺栓		
9-14	I2800-12015-0C	DRAIN PLUG BOLT	1	NO:002 洩油塞頭螺栓		
9-15	I4104-12120	WASHER	1	NO:049 平墊圈		
9-16	B4624-V30-0000	SPRING TRANSMISSION PLANK	1	傳動板彈簧		
9-17	B4623-V30-0000	TRANSMISSION PLANK	1	傳動板		
9-18	I5701-06010-0C	BOLT , HEXAGON HEAD	1	NO:027 六角帶頭螺栓		
9-19	I5701-06040-0C	BOLT , HEXAGON HEAD	10	NO:013 六角帶頭螺栓		
9-20	A8254-V30-0000	BUSH 40mm	2	襯套40mm		
9-21	A1103-V30-0000	RUB BUSH ENG HANGER	2	懸吊橡膠襯套		
9-22	C510A-V30-0000	SAFETY SWITCH ASSY.	1	安全開關組		
9-23	A1332-A09-0000	GAUGE OIL LEVEL	1	油門視窗		

# 10. AIR CLEANER



ITEM	PART NO.	NAME	Q'TY	品名	VIN /ENG NO	E.U
10		AIR CLEANER		空氣濾清器		
10-1	A720A-V30-0001	AIR CLEANER ASSY .	1	空氣濾清器總成		
10-1-1	A7230-V30-0001	CASE AIR CLEANER	1	空氣濾清器箱		
10-1-2	A7214-A11-0000	SEAL AIR CLEANER COVER	2	空氣濾清器蓋油封		
10-1-3	A7205-A12-0000	FILTER PAPER ASSY.	1	濾紙總成		
10-1-4	A7231-V30-0001	COVER AIR CLEANER	1	空氣濾清器蓋		
10-1-5	A7256-A04-0000	BAND AIR CLEANER CONNECTING TUBE	1	連接管固定帶		
10-1-6	I3903-320B0	SELF-TAPPING SCREW (φ5 ×20)	4	NO:007 自攻螺絲		
10-1-7	I3903-430B0	SELF-TAPPING SCREW (φ5 ×32)	2	NO:008 自攻螺絲		
10-1-8	A7253-V30-0000	AIR CLEANER CONNECTING TUBE	1	連接管		
10-1-9	A7364-A11-0000	B TUBE BERATHER	1	通氣管 (B)		
10-1-10	A7233-V30-0000	BAND CONNECTIOG TUBE	1	連接管固定片		
10-1-11	I3903-310B0	TAPPING SCREW PAN	1	NO:006 圓頭十字自攻螺絲		
10-2	A736A-V30-8000	WASTE RECOVERY ASSY	1	廢氣回收器總成		
10-3	I5701-06025-0C	BOLT , HEXAGON HEAD	2	NO:011 六角帶頭螺栓		

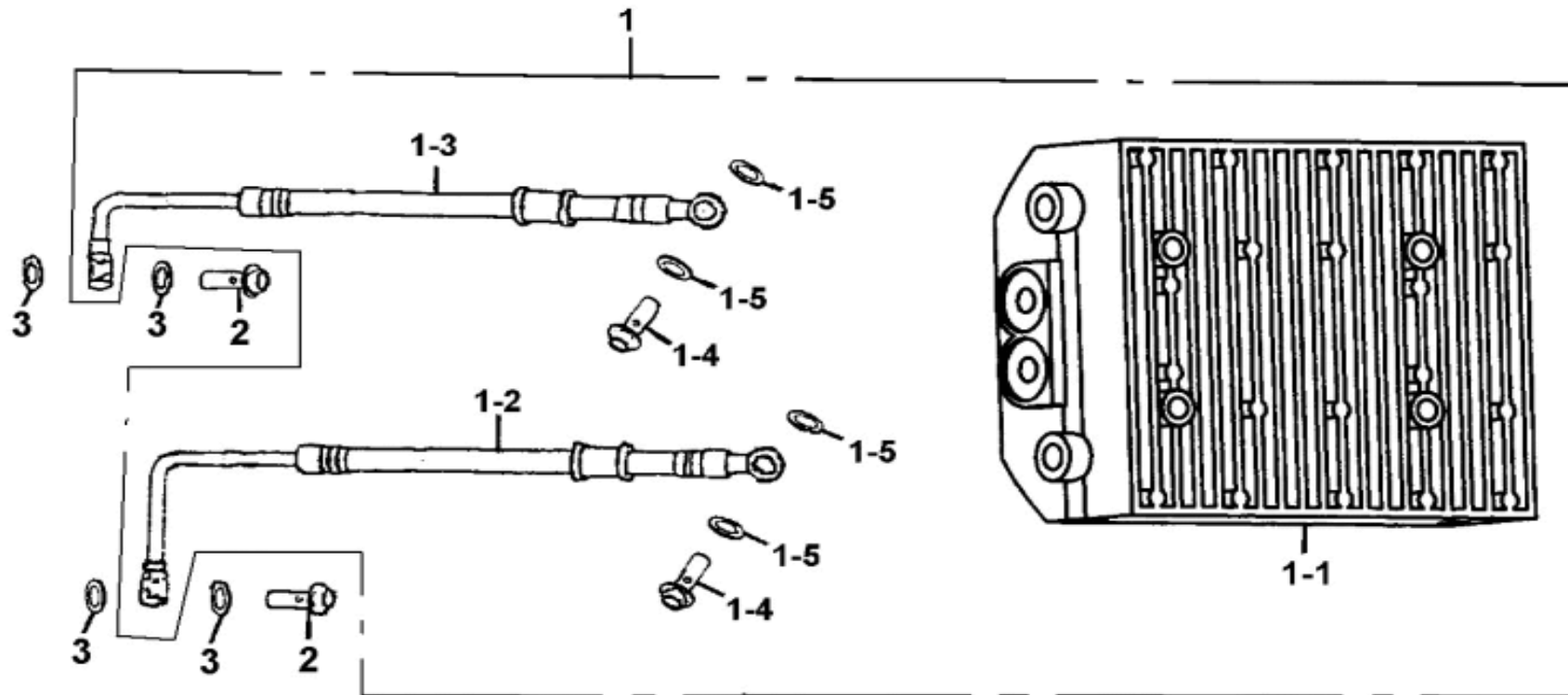
# 11. CARBURETOR



ITEM	PART NO.	NAME	Q'TY	品名	VIN NO	E.U
11		CARBURETOR				
11-1	A610A-V30-9000	CARBURETOR ASSY.	1	化油器總成		
11-1-1	AC001	SCREW	2	圓頭十字螺絲		
11-1-2	KAB44010	PLATE FIXED PISTON COVER (B)	1	活塞蓋固定片(B)		
11-1-3	KAB43910	PLATE FIXED PISTON COVER (A)	1	活塞蓋固定片(A)		
11-1-4	KAB43820	VACUUM PISTON COVER ASSY	1	真空活塞蓋總成		
11-1-5	KAB73710	PISTON SPRING	1	活塞彈簧		
11-1-6	KAB43610	SPRING PLACE	1	彈簧承座		
11-1-7	KAB43510	JET NEEDLE SPRING	1	閥針緩衝彈簧		
11-1-8	KAB73320	JET NEEDLE (*SG5A)	1	閥針總成 (*SG5A)		
11-1-9	KAB43440	VACUUM PISTON COMP	1	真空活塞組		
11-1-10	KAB41710	THROTTLE ADJUSTING	1	空氣栓		
11-1-11	A1046	WASHER	1	平墊圈		
11-1-12	KAB41810	AIR SPRING	1	空氣彈簧		
11-1-13	KAB40410	A.C.V COVER	1	A.C.V 上蓋		
11-1-14	KAB42010	A.C.V SPRING	1	A.C.V 復位彈簧		
11-1-15	KAB41930	A.C.V DIAPHRAGM ASSY	1	A.C.V 膜片總成		
11-1-16	AC036	SCREW+WASHER	2	圓頭十字螺絲+彈簧墊圈		
11-1-17	KAB40H03	VACUUM TUBE ASSY.	1	真空管總成		
11-1-17-1	KAB45910	BEAR TUBE	1	負壓管		
11-1-17-2	KAB46110	THREE THROUGH TUBE	1	三通接管		
11-1-17-3	KAB46010	VACUUM TUBE	1	真空管		
11-1-18	KAB46410	TUBE CLIP (A)	4	管夾 (A)		
11-1-19	KAB41610	CABLE FIXED SEAT	1	油門線固定座		
11-1-20	AC034	SCREW	2	圓頭十字螺絲		
11-1-21	KAB86210	RUBBER TUBE (A)	1	氣壓膠管 (A)		
11-1-22	KAB87710	THROUGH TUBE	1	旁通管		
11-1-23	KAB87810	RUBBER TUBE (B)	1	氣壓膠管 (B)		
11-1-24	KAB42410	FLOAT PIN	1	浮筒銷		
11-1-25	KAB73010	SLOW JET (*35)	1	低速噴嘴 (*35)		
11-1-26	KAB42910	NEEDLE JET	1	噴嘴閥座		
11-1-27	KAB73110	NEEDLE JET HOLDER (*SG5A)	1	主霧化管(*SG5A)		
11-1-28	KAB83112	MAIN JET ( # 112)	1	主噴油嘴( #112)		
11-1-29	KAB4CC20	NEEDLE VALVE ASSY.	1	針閥總成		

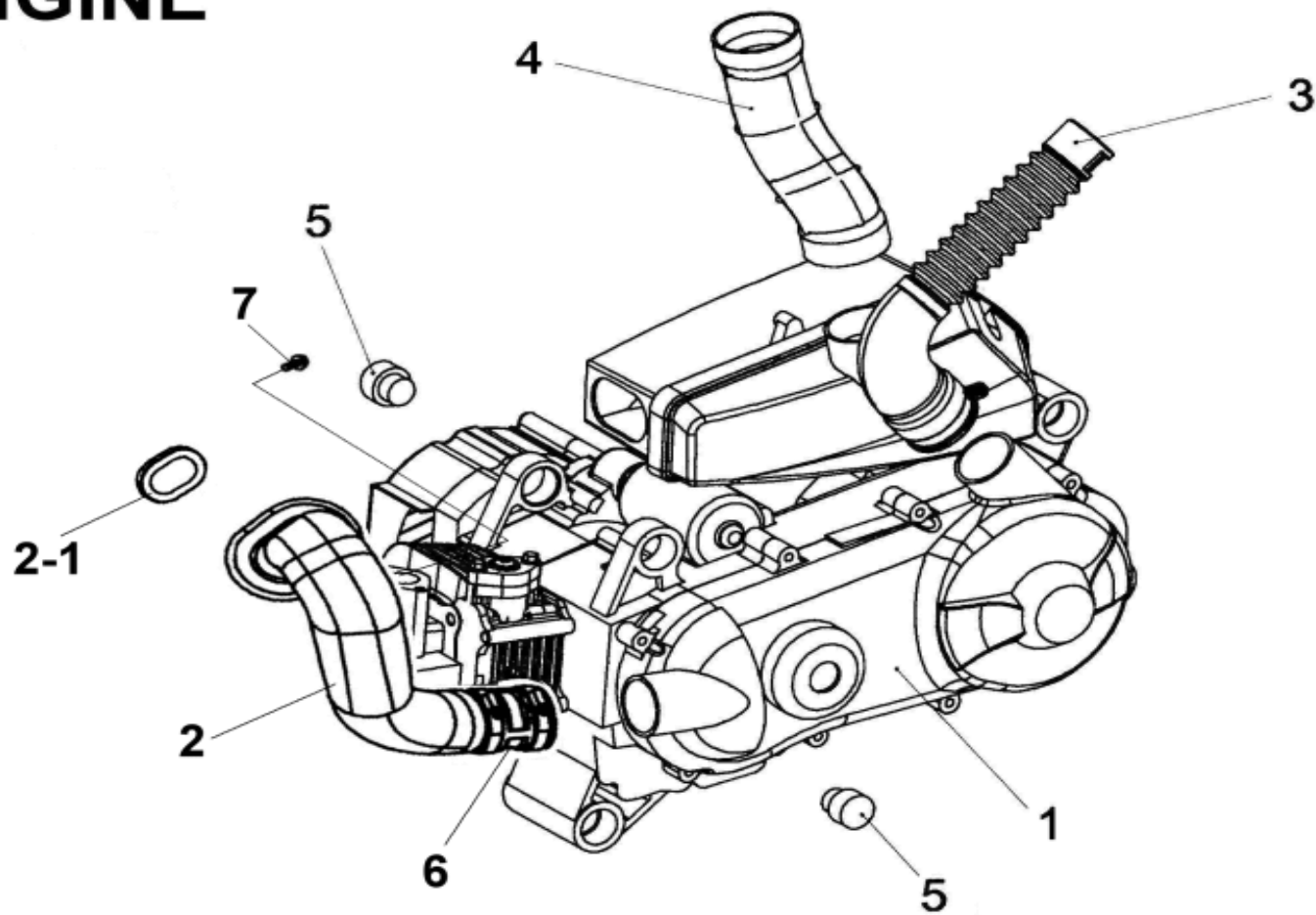
ITEM	PART NO.	NAME	Q'TY	品名	VIN /ENG NO	E.U
11		CARBURETOR				
*11-1-29-1	KAB42130	NEEDLE VALVE ADJUST	1	針閥調整		
*11-1-29-2	KAB42210	FLOAT O-RING	1	浮筒扣環		
11-1-30	KAB42310	FLOAT ASSY.	1	浮筒總成		
11-1-31	KAB45710	CHAMBER O-RING	1	底蓋方型環		
11-1-32	KAB87410	COPPER TUBE	1	溢流銅管		
11-1-33	KAB80210	CARB CHAMBER	1	底蓋		
11-1-34	AC033	SCREW	4	圓頭十字螺絲		
11-1-35	KAB61520	DRAIN SCREW ASSY	1	洩油螺栓總成		
11-1-35-1	KAA13510	DRAIN SCREW	1	洩油螺栓		
11-1-35-2	KAA13610	O-RING DRAIN	1	洩油O型環		
11-1-36	KAB87510	RUBBER JOINT	1	膠管接頭		
11-1-37	KAB46510	TUBE CLIP (B)	1	管夾 (B)		
11-1-38	KAB86310	PIPE (*425mm)	1	洩油膠管(*425mm)		
11-1-39	KAB40G04	AIR ADJUSTING SCREW ASSY	1	油氣栓總成		
*11-1-39-1	KAA12410	AIR O-RING	1	油氣O型環		
*11-1-39-2	KAA12510	WASHER	1	平墊圈		
*11-1-39-3	KAB42610	AIR SPRING	1	油氣彈簧		
*11-1-39-4	KAB42510	THROTTLE ADJUSTING	1	油氣栓		
11-1-40	KAB47210	OIL SEAL	1	提速器油封		
11-1-41	A6110-V30-0000	MANUAL CHOKE COMP	1	手動起動器		
11-1-41-1	A6154-V30-0000	MANUAL CHOKE SEAT	1	手動阻風門底座		
11-1-41-2	A6152-V30-0000	SPRING	1	壓縮彈簧		
11-1-41-3	A6153-V30-0000	MANUAL PISTON VALVE	1	手動式活塞閥		
11-1-41-4	A6158-V30-0000	O-RING	1	O型環		
11-1-41-5	A6157-V30-0000	PISTON VALVE SEAT	1	活塞閥座		
11-1-41-6	A6156-V30-0000	BEND TUBE	1	彎管		
11-1-41-7	A6155-V30-0000	BEND TUBE SHEATH	1	彎管護套		
11-1-42	AC017	SCREW+WASHER	2	圓頭十字螺絲+彈簧墊圈		
11-2	A7910-V30-0000	CABLE ASSY THROT	1	加油導線		
11-3	A7920-V30-0000	CABLE	1	阻風門線		

## 12. OIL COOLER



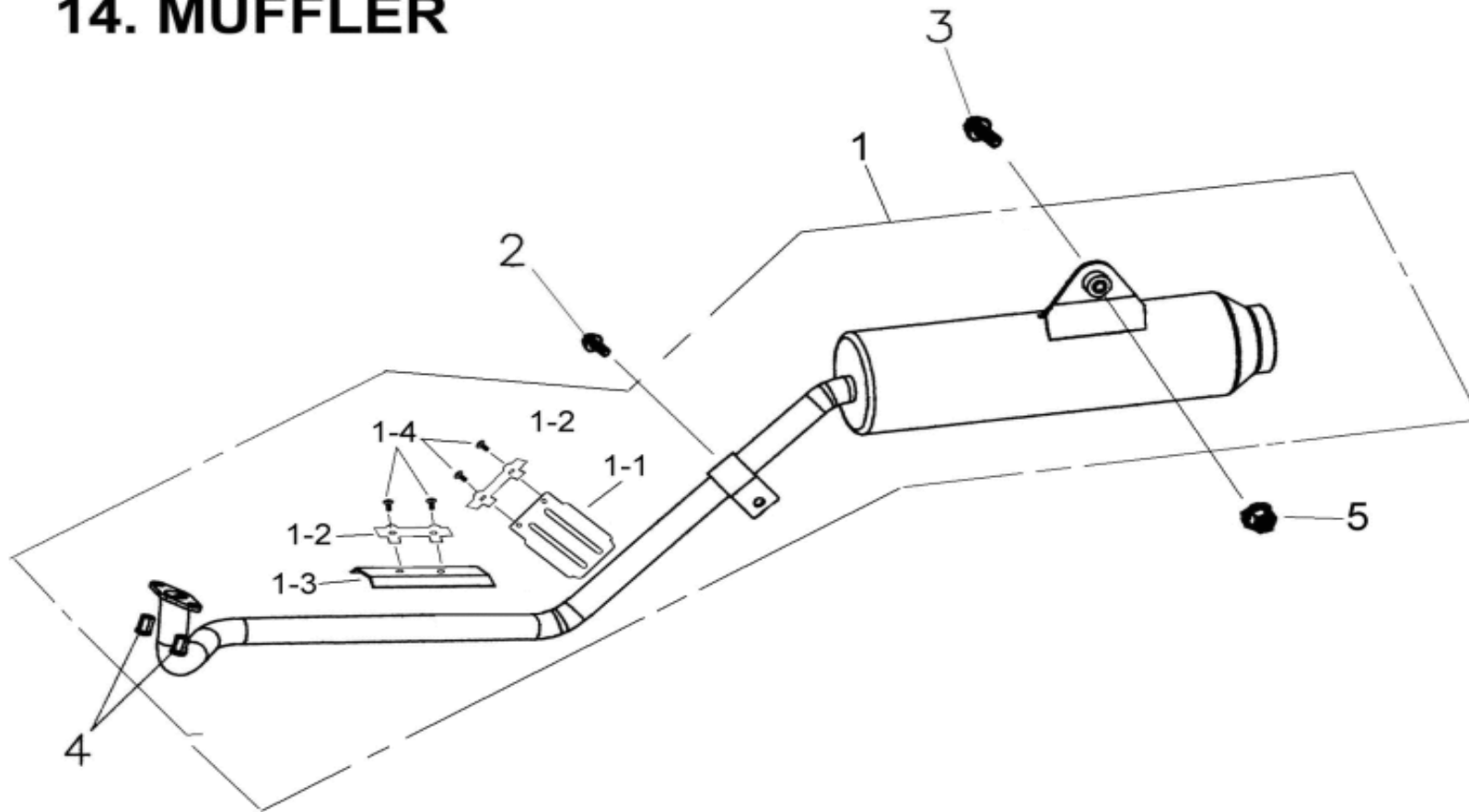
ITEM	PART NO.	NAME	Q'TY	品名	VIN /ENG NO	E.U
12		OIL COOLER				
12-1	I902A-V30-8000	COOLER COMP OIL ASSY.	1	機油冷卻總成(大)		
12-1-1	I9020-V30-9900	COOLER COMP OIL COATING	1	冷卻器組 (皮膜處理)		
12-1-2	A9121-V30-9000	OIL HOSE COMP INLET	1	進油管		
12-1-3	A9122-V30-9000	OIL HOSE COMP OUTLET	1	出油管		
12-1-4	I0002-V30-0000	BOLT B OIL PASS	2	油管螺栓		
12-1-5	I4104-12514	WASHER	4	NO:048 平墊圈		
12-2	I0002-V30-0000	BOLT B OIL PASS	2	油管螺栓		
12-3	I4104-12514	WASHER	4	NO:048 平墊圈		

# 13. ENGINE



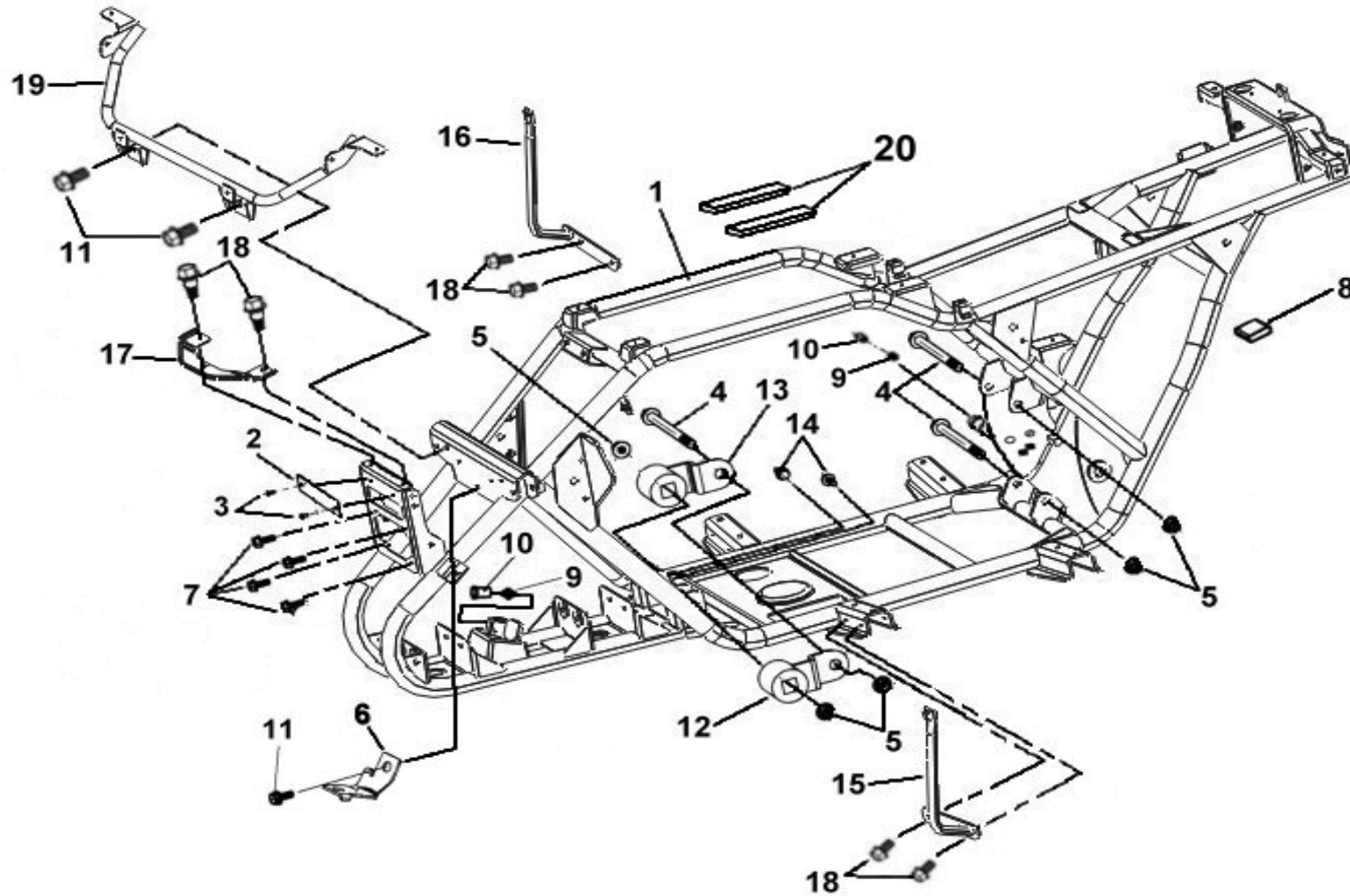
ITEM	PART NO.	NAME	Q'TY	品名	VIN /ENG NO	E.U
13		ENGINE				
13-1	AA000-V30-3000	ENGINE	1	引擎總成		
13-2	B0100-FID0-0000	INLET TUBE , CVT	1	CVT進氣管總成		
13-2-1	B0103-FID0-0000	INLET TUBE , CVT SPONGE	1	CVT進氣管泡棉		
13-3	B0200-FIA0-0000	EXH TUBE , CVT	1	CVT排氣管總成		
13-4	A7215-V30-0000	AIR/C CASE DUCT	1	空濾器進氣管		
13-5	A1105-FIA0-000	ENGINE RUBBER PLUG	2	引擎橡膠塞		
13-6	B0101-FID0-0000	EXH TUBE , CVT CONNECTING TUBE	1	CVT進氣管固定橡膠		
13-7	I0119-06802	BOLT,HEXAGON HEAD(M6x16)	1	六角套頭螺栓		

# 14. MUFFLER



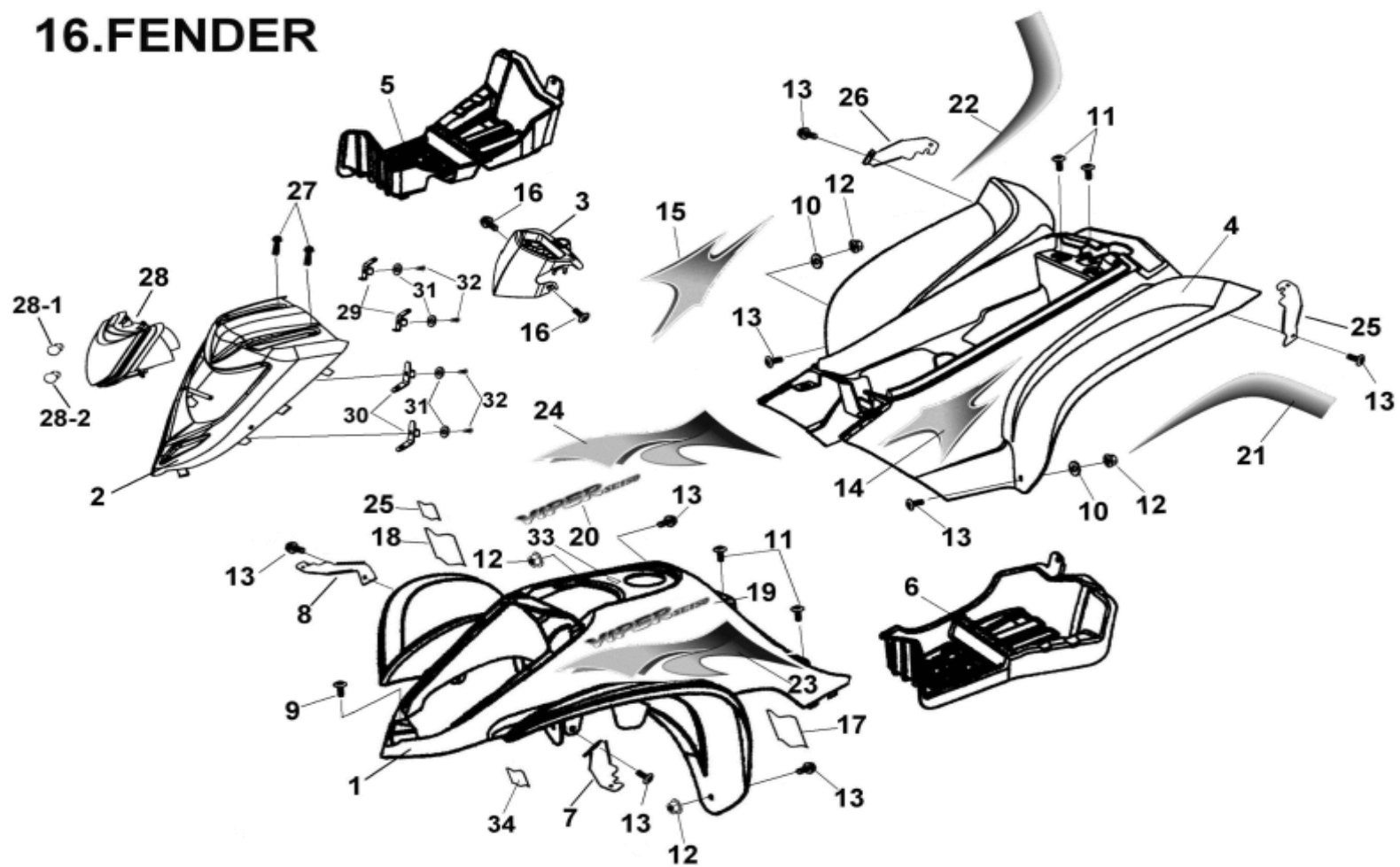
ITEM	PART NO.	NAME	Q'TY	品名	VIN /ENG NO	E.U
14		MUFFLER ASSY.				
14-1	A830A-FIC0-9000	EXHAUST PIPE ASSY.	1	排氣管總成		
14-1-1	A830B-FIA0-1000	DRIVE CHAIN COVER	1	鏈條保護蓋		
14-1-2	A830C-FIA0-1000	ANTI-LOOSEN STRIP	2	防鬆片		
14-1-3	A830D-FIA0-0000	FRONT EXHAUST PIPE COVER	1	前彎管護熱蓋		
14-1-4	A830F-FIA0-0000	BOLT WASHER	4	六角螺栓附墊圈		
14-2	I7507-FIA0-0000	BOLT,HEXAGON HEAD WITH WASHER	1	六角螺栓附墊圈		
14-3	I0149-08036-01	BOLT ,FLANGE	1	凸緣螺栓		
14-4	I0179-06850	NUT	2	排氣管螺帽		
14-5	I5611-08200	NUT,FLANGE CHECK(M8)	1	凸緣防鬆螺帽		

# 15.FRAME



ITEM	PART NO.	NAME	Q'TY	品名	VIN /ENG NO	E.U
15		FRAME				
15-1	E0100-FIE0-0000	FRAME COMP.	1	車架總成		
15-2	H7501-FIC0-0000	EMBLEM	1	銘牌		
15-3	H750A-5BA1-0000	FIX NAIL	2	拉釘(ψ3.5×9)		
15-4	E0351-5EA0-0000	ENGINE SET BOLT(M10×115)	3	引擎裝置螺栓		
15-5	I5611-10200	NUT,FLANGE CHECK	5	凸緣防鬆螺帽		
15-6	G7114-FIC0-0000	CONNECTER PLATE	1	三通固定板		
15-7	I2501-06080-0B	BOLT,HEXAGON HEAD	4	六角螺栓		
15-8	G7223-5EB0-0000	RUBBER PAD	1	防震橡膠塊		
15-9	I6600-06000	GREASE VALVE(1/4")	2	黃油嘴(1/4")		
15-10	E0209-5EA0-9000	CAP, GREASE VALVE	2	黃油嘴蓋		
15-11	I0149-08016	BOLT,FLANGE (M8×16)	3	凸緣螺栓		
15-12	E0350-FIA0-0000	ENGINE SUSPENSION ASSY. ,LEFT	1	引擎懸吊裝置總成(左)		
15-13	E0353-FIA0-0000	ENGINE SUSPENSION ASSY. ,RIGHT	1	引擎懸吊裝置總成(右)		
15-14	E0352-FIA0-0000	SCREW,BUTTON HEAD CAP	2	圓頭四角螺絲		
15-15	E0107-FID0-0000	LEFT,FIXED PLATE,FRONT FENDER	1	前擋泥板左固定片		
15-16	E0108-FID0-0000	RIGHT,FIXED PLATE,FRONT FENDER	1	前擋泥板右固定片		
15-17	E0106-FID0-0000	FRONT,FIXED PLATE,FRONT FENDER	1	前擋泥板前固定片		
15-18	I0149-06012	BOLT,FLANGE (M6×12)	6	凸緣螺栓		
15-19	E0105-FID0-0000	FIXED PLATE,FRONT FENDER	1	前擋泥板支撐架		
15-20	A7509-FID0-0000	PAD(5×10×130)	2	海綿橡膠		

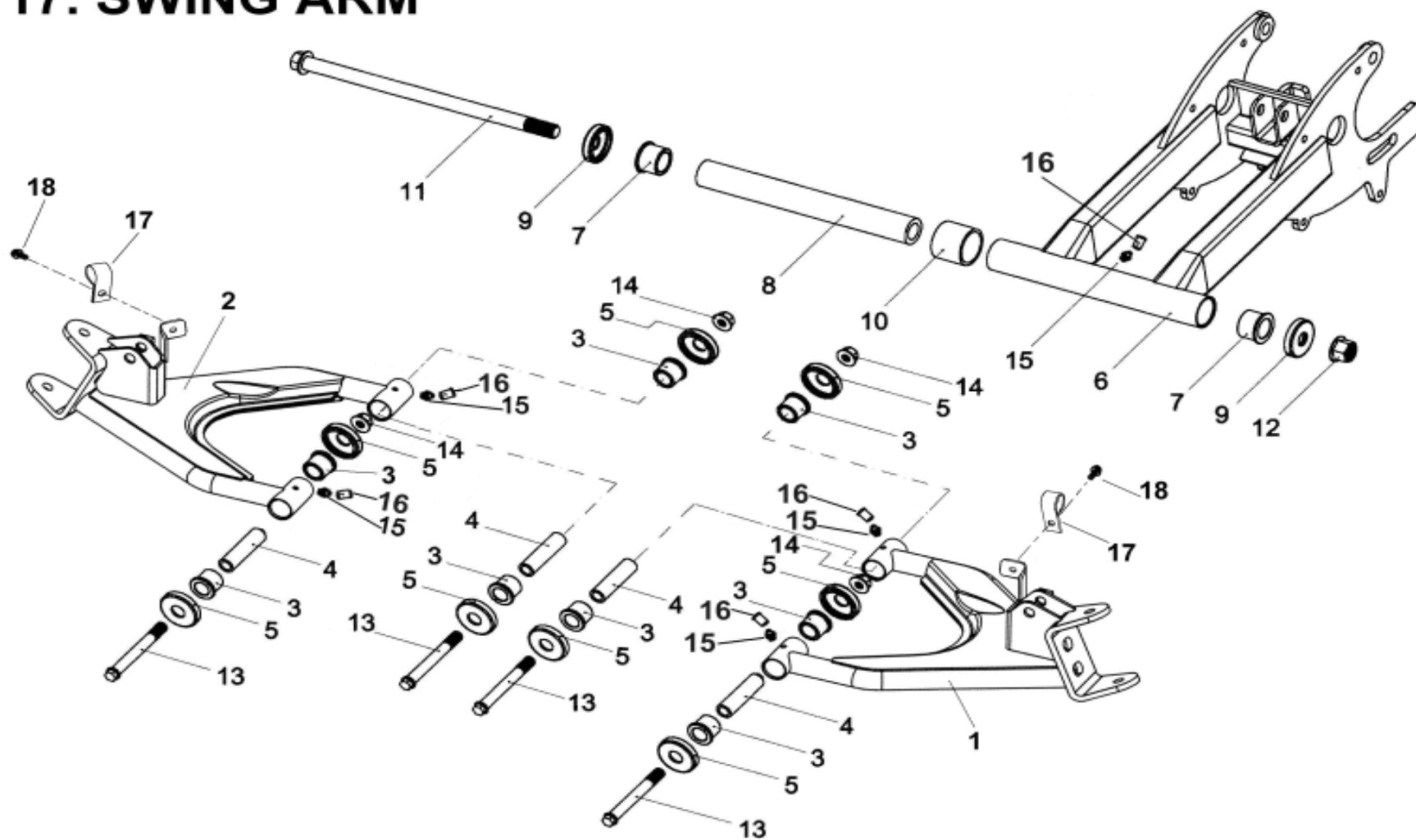
# 16.FENDER



ITEM	PART NO.	NAME	Q'TY	品名	VIN /ENG NO	E.U
16		FENDER				
16-1	F4300-FID0-0800	FRONT FENDER (BLACK)	1	前擋泥板(黑)		
	F4300-FID0-1100	FRONT FENDER (YELLOW)	1	前擋泥板(黃)		
	F4300-FID0-5400	FRONT FENDER (BLUE)		前擋泥板(藍)		
16-2	F4301-FIE0-0700	FRONT CENTRAL COVER(SILVER)	1	前中心蓋(銀)		
	F4301-FIE0-1100	FRONT CENTRAL COVER(YELLOW)	1	前中心蓋(黃)		
	F4301-FIE0-5400	FRONT CENTRAL COVER(BLUE)	1	前中心蓋(藍)		
16-3	E3205-FIE0-0800	COVER,HANDLE BAR UP(BLACK)	1	手把上蓋(黑色)		
16-4	H3500-FID0-0800	REAR FENDER(BLACK)	1	後擋泥板(黑)		
	H3500-FID0-1100	REAR FENDER(YELLOW)	1	後擋泥板(黃)		
	H3500-FID0-5400	REAR FENDER(BLUE)	1	後擋泥板(藍)		
16-5	H3520-FID0-0800	FOOTREST, RIGHT	1	右置腳踏板(黑)		
16-6	H3620-FID0-0800	FOOTREST, LEFT	1	左置腳踏板(黑)		
16-7	C3104-FIE0-0000	PLATE LEFT FRONT DIRECTION	1	左前方向燈固定片		
16-8	C3105-FIE0-0000	PLATE RIGHT FRONT DIRECTION	1	右前方向燈固定片		
16-9	I0119-06802	BOLT,HEXAGON HEAD(M6×16)	1	六角套頭螺栓(M6x16)		
16-10	I4104-06515	NO:065WASHER	2	NO:065平墊圈		
16-11	I0149-06823-01	BUTTON HEAD SCREW	4	扁圓頭螺絲		
16-12	I5611-06200-0G	NUT	4	自鎖螺帽(墨綠)		
16-13	I0119-06821	BOLT,HEXAGON(M6×20)	8	六角螺栓(M6×20)		
16-14	H7128-FID0-0700	STICKER,REAR BODY (SILVER)(L)	1	後車身貼紙(左)--銀色		
	H7128-FID0-1100	STICKER,REAR BODY (YELLOW)(L)	1	後車身貼紙(左)--黃色		
	H7128-FID0-4200	STICKER,REAR BODY (RED)(L)	1	後車身貼紙(左)--紅色		
16-15	H7129-FID0-0700	STICKER,REAR BODY (SILVER)(R)	1	後車身貼紙(右)--銀色		
	H7129-FID0-1100	STICKER,REAR BODY (YELLOW))(R)	1	後車身貼紙(右)--黃色		
	H7129-FID0-4200	STICKER,REAR BODY (RED)(R)	1	後車身貼紙(右)--紅色		
16-16	I8556-06012	SCREW WITH WASHER(M6×12)	2	盤頭螺絲附墊圈		
16-17	H7129-FIA0-0000	STICKER,INDICATE GEAR	1	排擋指示貼紙		
16-18	H7100-5FA0-0000	LABEL TIRE, WARNING	1	胎壓警告貼紙		
16-19	H7103-FIE0-0000	STICKER, VIPER-ST (L)	1	車型貼紙(左)		

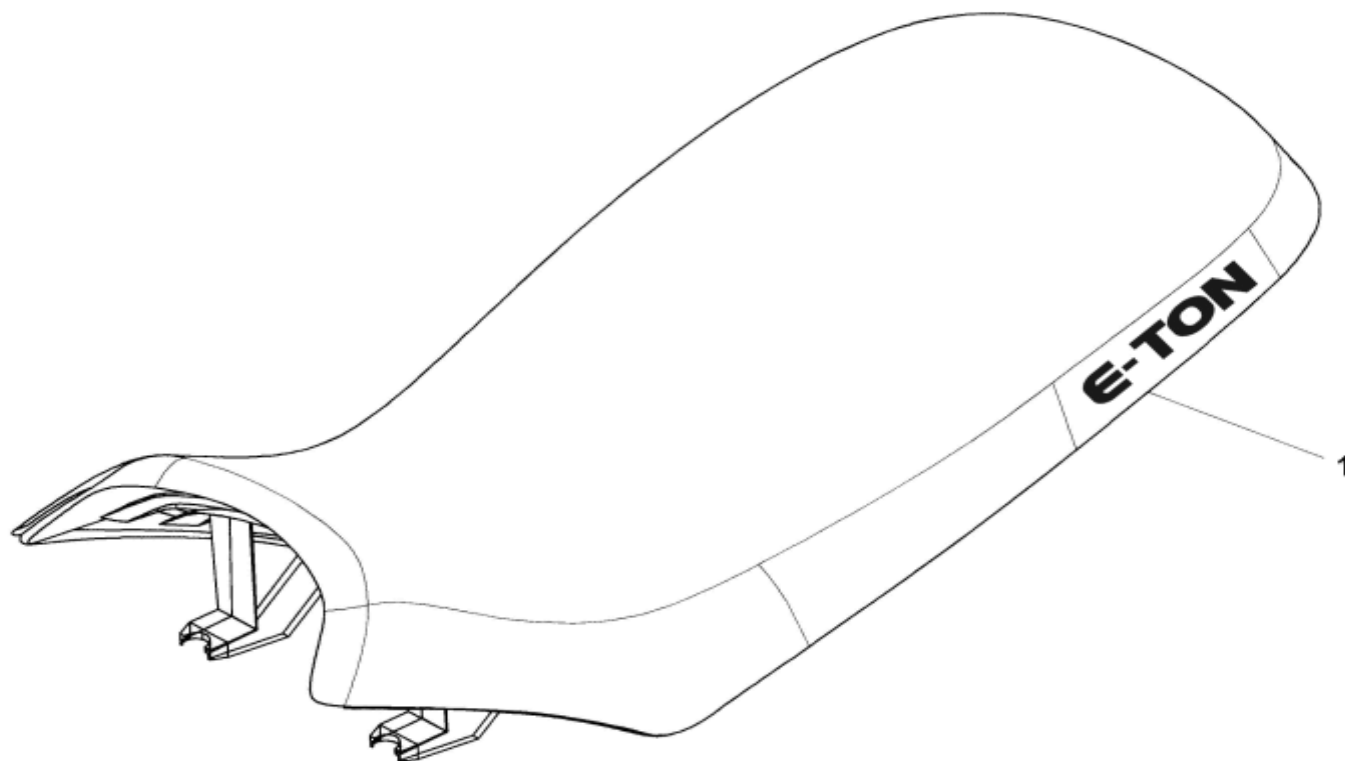
ITEM	PART NO.	NAME	Q'TY	品名	VIN /ENG NO	E.U
16		FENDER				
16-20	H7104-FIE0-0000	STICKER, VIPER-ST ( R)	1	車型貼紙(右)		
16-21	H7126-FID0-0000	STICKER,REAR FENDER(L)	1	後擋泥板貼紙(左)		
16-22	H7127-FID0-0000	STICKER,REAR FENDER(R)	1	後擋泥板貼紙(右)		
16-23	H7124-FID0-0700	FRONT BODY STICKER (SILVER)(L)	1	前車身貼紙(左)--銀色		
	H7124-FID0-1100	FRONT BODY STICKER (YELLOW)(L)	1	前車身貼紙(左)--黃色		
	H7124-FID0-4200	FRONT BODY STICKER (RED)(L)	1	前車身貼紙(左)--紅色		
16-24	H7125-FID0-0700	FRONT BODY STICKER (SILVER) (R)	1	前車身貼紙(右)--銀色		
	H7125-FID0-1100	FRONT BODY STICKER (YELLOW) (R)	1	前車身貼紙(右)--黃色		
	H7125-FID0-4200	FRONT BODY STICKER (RED) (R)	1	前車身貼紙(右)--紅色		
16-25	C3106-FIE0-0000	PLATE LEFT REAR DIRECTION	1	左後方向燈固定片		
16-26	C3107-FIE0-0000	PLATE RIGHT REAR DIRECTION	1	右後方向燈固定片		
16-27	I8310-FIA0-0000	PLASTIC SCREW	2	塑膠螺絲		
16-28	C5030-FIE0-0000	HEAD LIGHT	1	頭燈總成		
16-28-1	C5031-FIE0-0000	HEAD BULB	1	頭燈燈泡		
16-28-2	C5032-FIE0-0000	POSITION LIGHT BULB	1	位置燈燈泡		
16-29	E0110-FIE0-0000	HEAD LIG HT HOLDER A	2	頭燈固定座 A		
16-30	E0111-FIE0-0000	HEAD LIG HT HOLDER B	2	頭燈固定座 B		
16-31	I8556-06016	SCREW ,PAD NEAD(M6×16)	4	盤頭螺絲附墊圈(M6×16)		
16-32	I0110-40120	SCREW,TAPPING	4	自攻螺絲		
16-33	H7137-FIB0-0000	STICKER, ON"N" SHIFT TO START	1	空檔啓動貼紙		
16-34	H7131-FIB0-0000	STICKER,POWER SUPPLY	1	電源供應座貼紙		

# 17. SWING ARM



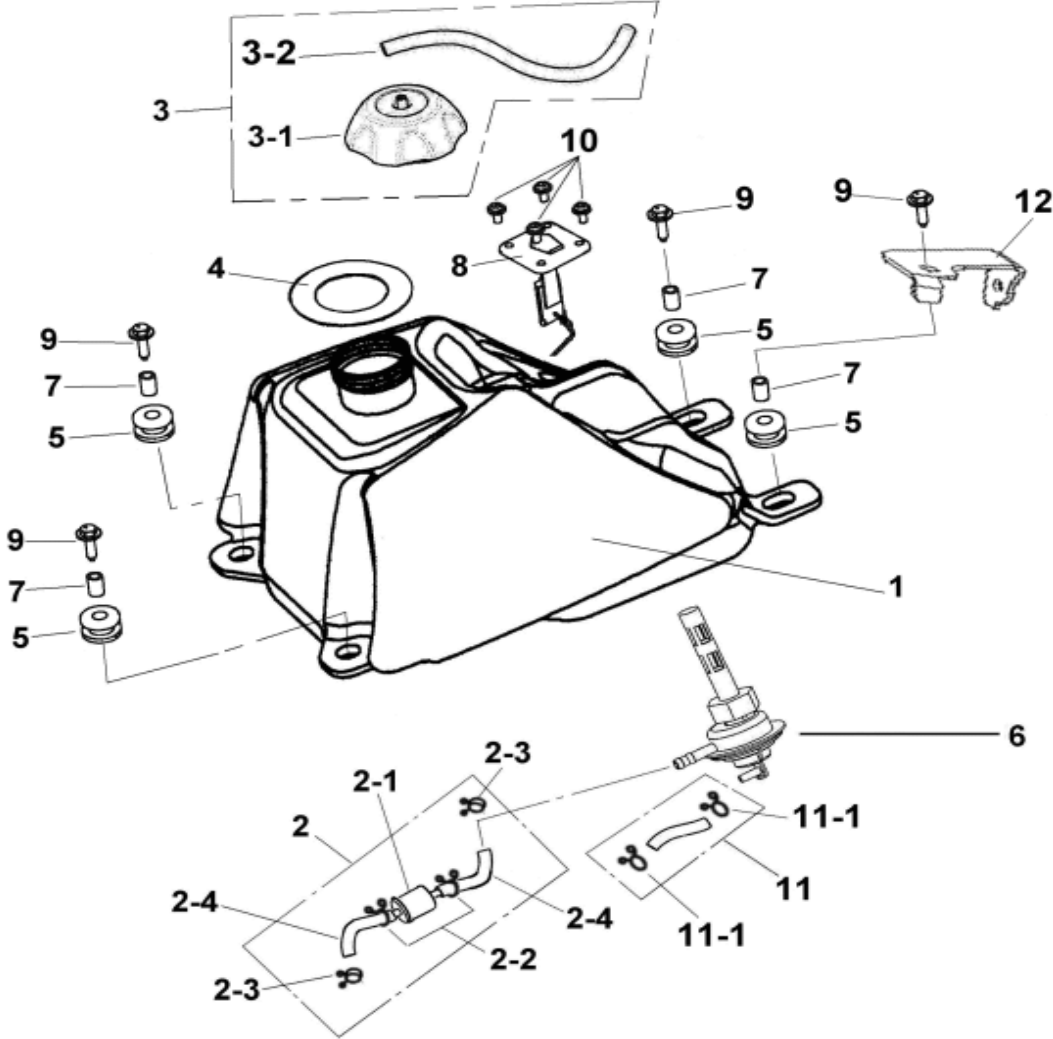
ITEM	PART NO.	NAME	Q'TY	品名	VIN /ENG NO	E.U
17		SWING ARM				
17-1	E0200-FIC0-9000	ARM, SUSPENSION, L.H.	1	左A臂總成		
17-2	E0210-FIC0-9000	ARM, SUSPENSION, R.H.	1	右A臂總成		
17-3	E0201-FIA0-0000	BUSH, ARM SUSPENSION	8	A臂含油襯套		
17-4	E0209-FIA0-0000	SPACER	4	A臂套筒(短)		
17-5	E2205-4HA0-0000	SWING ARM SEAL COVER	8	封蓋		
17-6	E220A-FIB0-9000	SWING ARM SUB ASSY.	1	後叉總成		
17-7	E2208-5EA0-0000	SWING ARM OIL LINER(ψ20)	2	後叉含油襯套		
17-8	E2209-FIA0-0000	SPACER	1	後叉套筒(長)		
17-9	E2205-5EA0-0000	SWING ARM SEAL COVER	2	後叉封套		
17-10	E2202-FIA0-0000	RUBBER SLEEVE	1	後叉軸套		
17-11	E2201-FIA0-0000	BOLT,SWING RAM SET CHECK(M14×265)	1	後叉裝置螺栓		
17-12	I5611-14200	NUT ,FLANGE CHECK(M14)	1	凸緣防鬆螺帽		
17-13	I0149-10080	FLANGE(M10×80)	4	凸緣螺栓(10×80)		
17-14	I5611-10200	NUT,FLANGE CHECK(M10)	4	凸緣防鬆螺帽		
17-15	I6600-06000	GREASE VALVE	5	黃油嘴(1/4")		
17-16	E0209-5EA0-9000	CAP,GREASE VALVE	5	黃油嘴蓋		
17-17	G7112-BCA0-0000	BRACKET,BRAKE HOSE	2	煞車油管固定夾		
17-18	I8556-06016	BOLT,FLANGE(M6x16)	2	凸緣螺絲		

## 18. SEAT



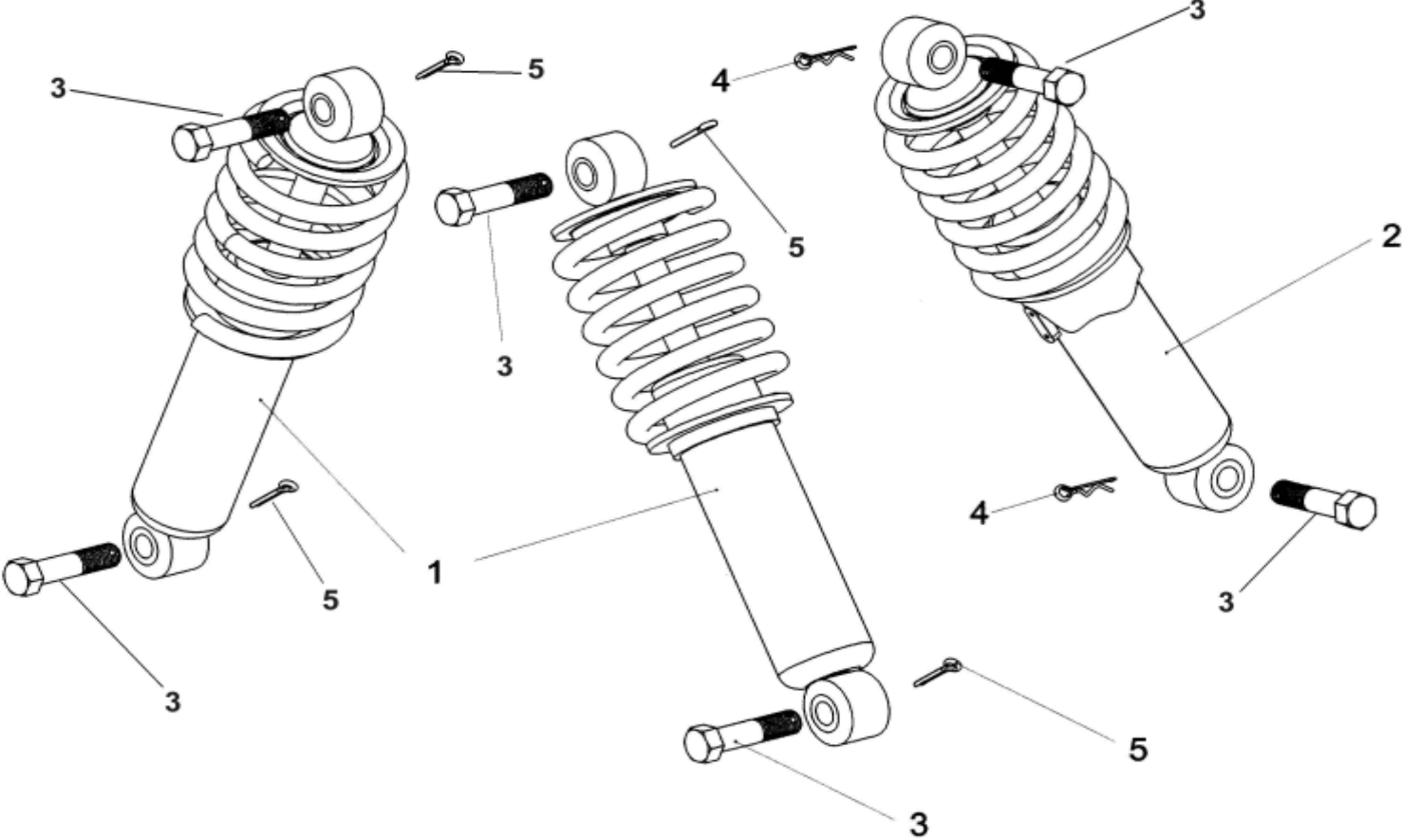
ITEM	PART NO.	NAME	Q'TY	品名	VIN NO	E.U
18		SEAT				
18-1	G7200-FIE0-0700	SEAT ASSY.(SILVER)	1	座墊總成(銀色)-黑色車用		
	G7200-FIE0-1100	SEAT ASSY.(YELLOW)	1	座墊總成(黃色)-藍色車用		
	G7200-FIE0-5400	SEAT ASSY.(RED/BRACK)	1	座墊總成(紅黑色)-黃色車用		

# 19. FUEL TANK, OIL TANK



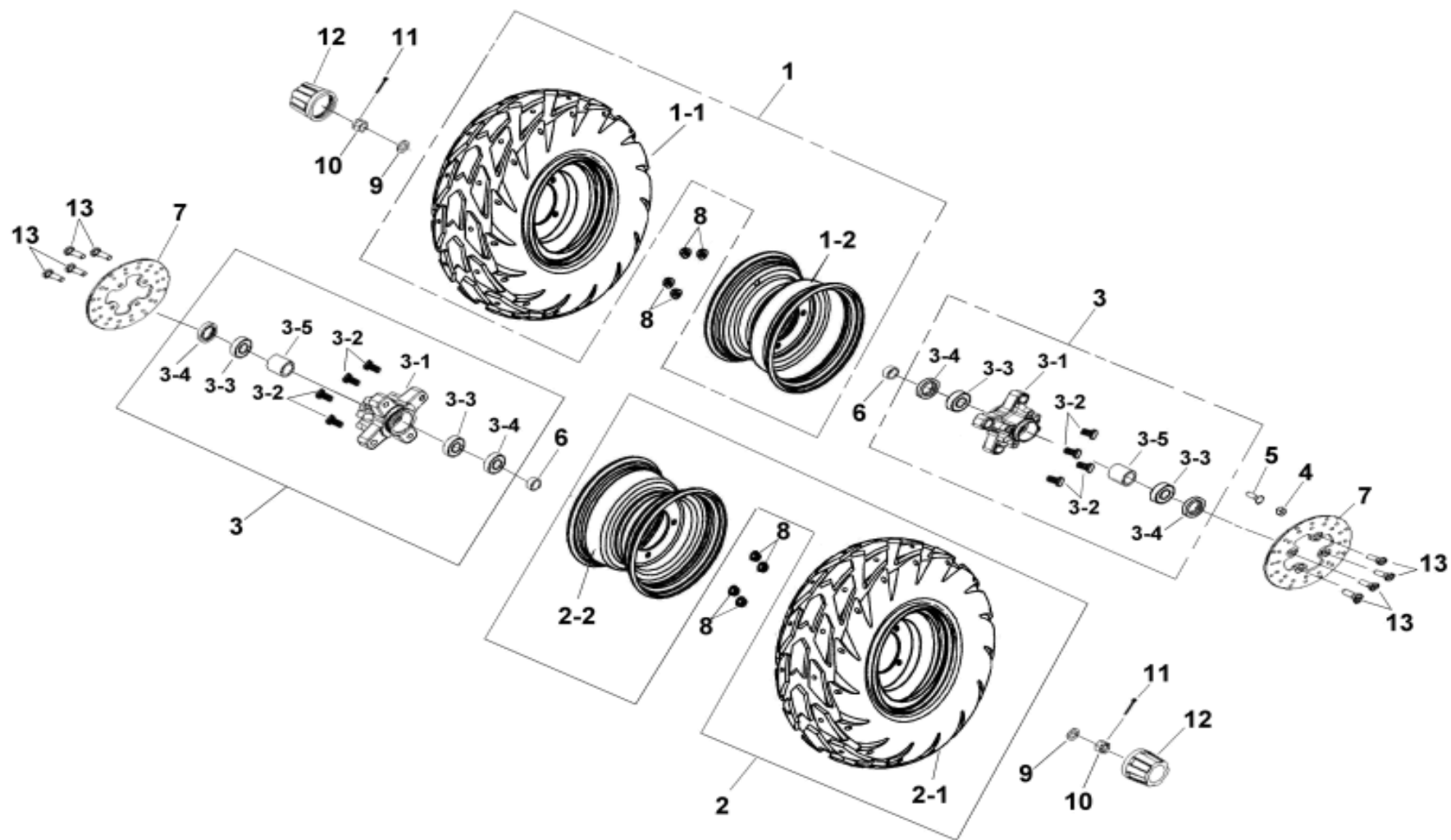
ITEM	PART NO.	NAME	Q'TY	品名	VIN /ENG NO	E.U
19		FUEL TANK , OIL TANK ASSY				
19-1	A7500-FIE0-0000	FUEL TANK COMP	1	汽油箱		
19-2	A751A-FIA0-1000	FUEL FILTER ASSY.	1	汽油濾清器總成		
19-2-1	A7519-FIA0-1000	FILTER COMP FUEL	1	汽油濾清器		
19-2-2	A7516-5EA0-0000	CLIP(A)	2	汽油管止夾(A)		
19-2-3	A7517-FIA0-0000	CLIP	2	汽油管止夾		
19-2-4	A7514-FIA0-0000	FUEL TUBE(A)	2	汽油濾清器油管(A)		
19-3	A762A-9FA0-0000	FUEL TANK CAP ASSY	1	汽油箱蓋總成		
19-3-1	A7620-9FA0-0000	FUEL TANK CAP ASSY.	1	汽油箱蓋		
19-3-2	A7621-9FA0-0000	BREATHE TUBE	1	油箱呼吸管		
19-4	A7622-9FA0-0000	RUBBER PAD, FUEL TANK CAP	1	汽油箱蓋橡膠墊		
19-5	A7510-FIA0-0000	FUEL TANK RUBBER PAD	4	汽油箱橡膠墊		
19-6	A6701-FIA0-0000	FUEL COCK ASSY.	1	旋油塞總成		
19-7	A7511-FIA0-0000	RUBBER INSULATOR	4	汽油箱橡膠隔筒		
19-8	C780A-FIA0-0000	METER FUEL LEVER	1	汽油量表		
19-9	I7507-06225	BOLT ,HEXAGON HEAD	4	六角套頭螺栓		
19-10	I0200-50160	BOLT,WITH WASHER(M5×16)	4	帶墊圈螺栓		
19-11	A751B-FIA0-0000	VACUUM TUBE COMP	1	負壓管		
19-11-1	A7518-FIA0-0000	CLIP	2	負壓管線夾		
19-12	G7101-FIE0-0000	BRAKE RESERVOIR PLATE	1	油杯固定座		

# 20. SUSPENSION



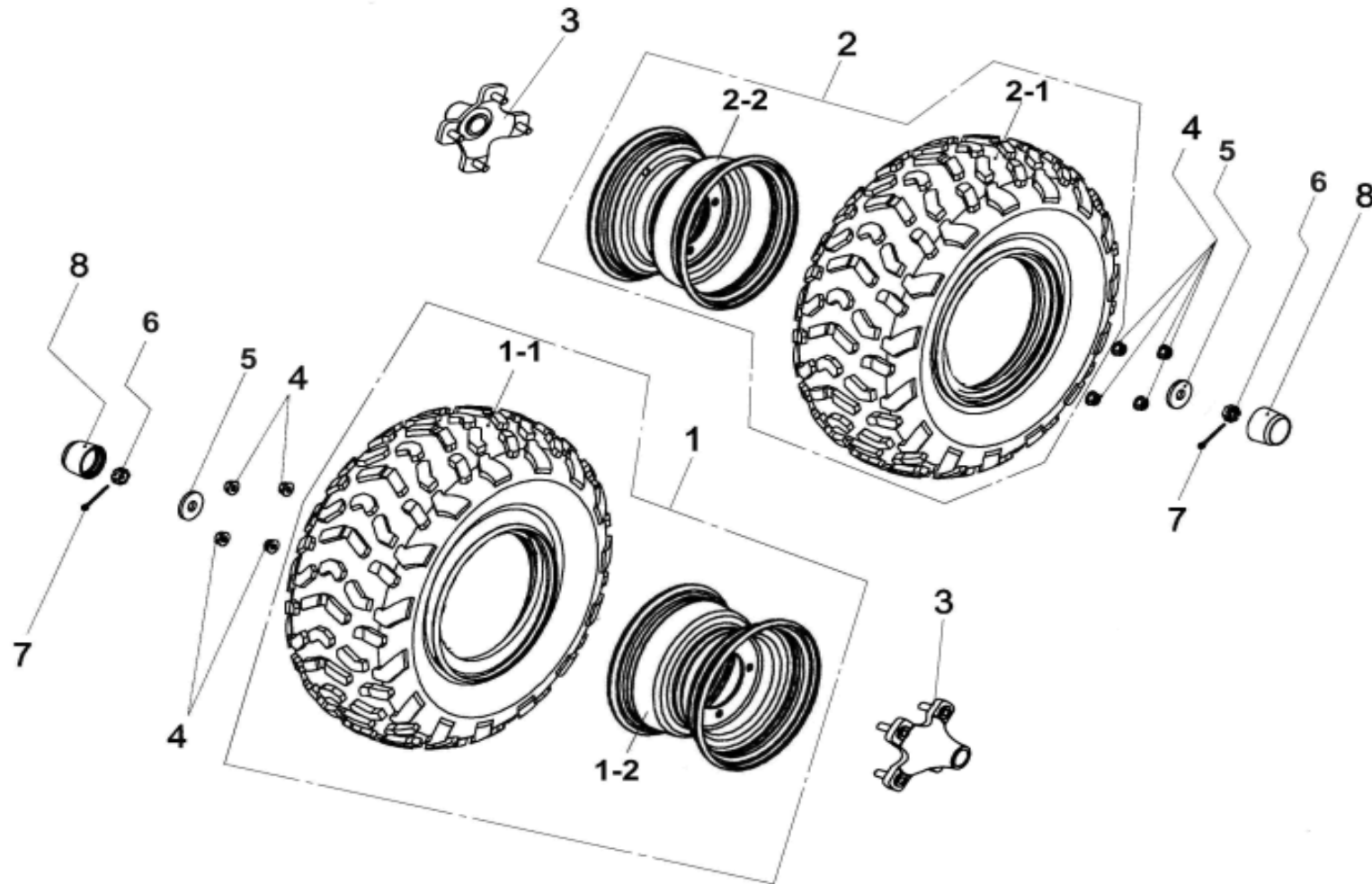
ITEM	PART NO.	NAME	Q'TY	品名	VIN /ENG NO	E.U
20		SUSPENSION				
20-1	E1105-FIA0-9100	SUSPENSION, FRONT(YELLOW)	2	前避震器(黃色)		
	E1105-FIA0-9700	SUSPENSION, FRONT(SILVER)	2	前避震器(銀色)		
20-2	E2400-FID0-0200	SUSPENSION, REAR(RED)	1	後避震器(紅色)		
20-3	I0102-10040B	PIN HOLE BOLT(M10×40)	6	銷孔螺栓		
20-4	I0468-12006	COTTER PIN	2	B型銷		
20-5	I9900-25019	COTTER PIN (3/32×3/4")	4	開口銷		

# 21. FRONT WHEEL



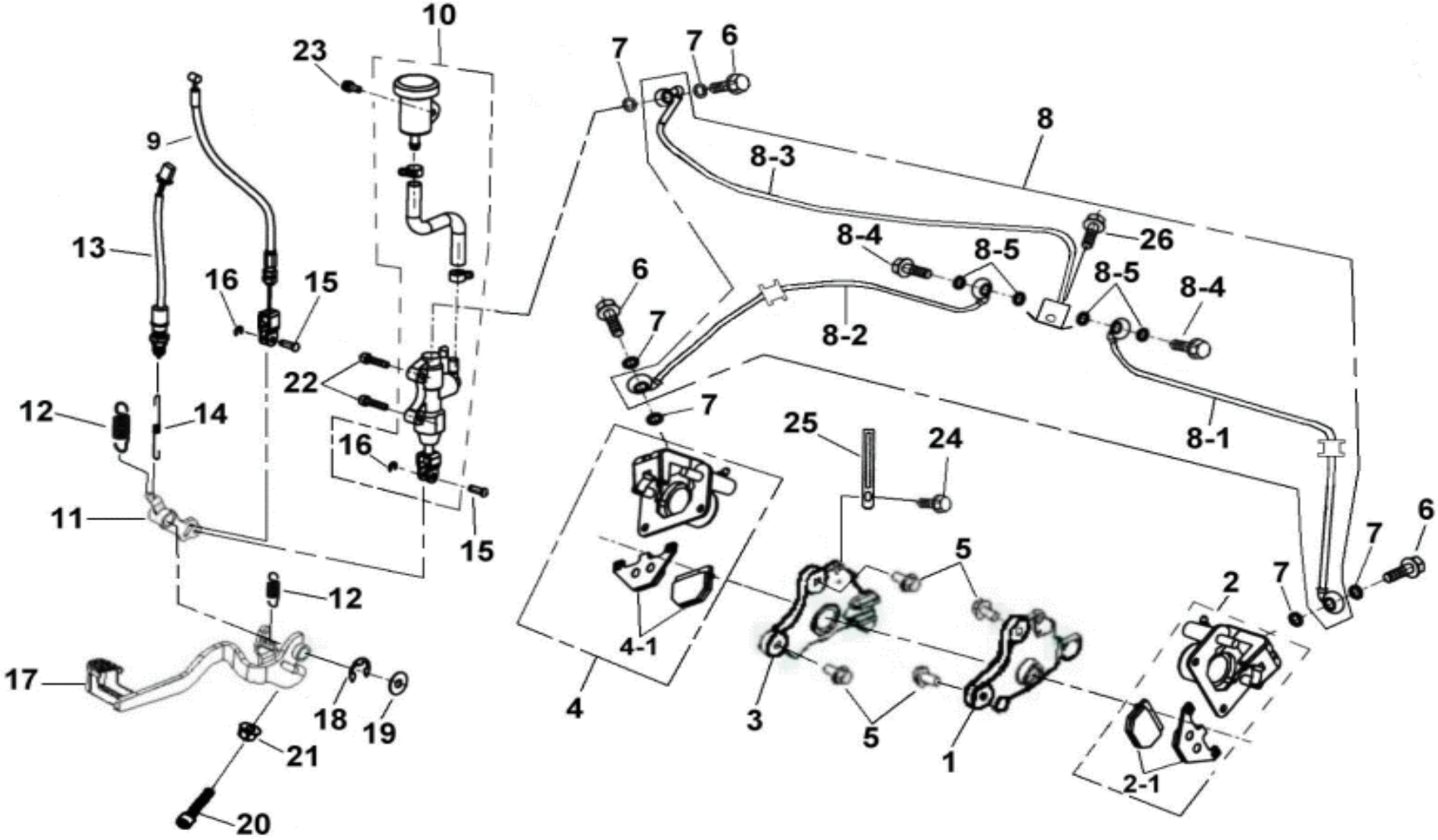
ITEM	PART NO.	NAME	Q'TY	品名	VIN /ENG NO	E.U
21		FRONT WHEEL				
21-1	D471A-FIE0-0000	FRONT WHEEL ASSY.,LEFT(21×7-10)	1	左前輪總成		
21-1-1	D4710-FIE0-0000	WHEEL TIRE (21x7-10)	1	輪胎		
21-1-2	D4601-FIC0-0000	WHEEL RIM (10"×5.5)	1	輪圈		
21-2	D471B-FIE0-0000	FRONT WHEEL ASSY.,RIGHT(21x7-10)	1	右前輪總成		
21-2-1	D4710-FIE0-0000	WHEEL TIRE (21x7-10)	1	輪胎		
21-2-2	D4601-FIC0-0000	WHEEL RIM (10"×5.5)	1	輪圈		
21-3	D461A-FIC0-0000	WHEEL HUB ASSY	2	前輪轂總成		
21-3-1	D4610-FIC0-0000	WHEEL HUB	2	前輪轂		
21-3-2	D4612-9FA0-0000	BOLT,STUD	8	緊配螺栓		
21-3-3	I6100-6003LLU	BEARING(6003-LLU)	4	軸承		
21-3-4	I1307-24035-10	OUTER OIL SEAL(ψ24 ×35×7)	4	外油封		
21-3-5	D4620-FIA0-0000	INNER SPACER	2	內定距套		
21-4	C7205-5PA0-0000	MAGNET	1	磁石		
21-5	D4613-5PA0-0000	SCREW	1	轉接螺絲		
21-6	D4621-FIA0-0000	OUTER SPACER	2	外定距套		
21-7	D5351-FIC0-0000	BRAKE DISC	2	前蝶式煞車盤		
21-8	D4611-FIC0-0000	NUT(M10)	8	螺帽(M10)		
21-9	I9905-14200	WASHER(ψ15×24×2.3)	2	墊圈		
21-10	I5500-14100	CASTLE NUT(M14)	2	城堡螺帽(M14)		
21-11	I4201-46325	COTTER PIN	2	開口銷		
21-12	D4609-9FA0-0000	RUBBER CAP	2	橡膠套		
21-13	D5350-FIC0-0000	BOLT,ROUND HEAD	8	煞車盤圓頭螺栓		

## 22. REAR WHEEL



ITEM	PART NO.	NAME	Q'TY	品名	VIN /ENG NO	E.U
22		REAR WHEEL				
22-1	D471C-FIE0-0000	REAR WHELL ASSY.,LEFT(20×11-9)	1	後輪總成		
22-1-1	D4720-FIE0-0000	WHEEL TIRE (20×11-9)	1	輪胎		
22-1-2	D4602-FIE0-0000	WHEEL RIM (9"×8)	1	輪圈(9×8)		
22-2	D471D-FIE0-0000	REAR WHELL ASSY.,RIGHT(20×11-9)	1	右後輪總成		
22-2-1	D4720-FIE0-0000	WHEEL TIRE (20×11-9)	1	輪胎(22×11-9)		
22-2-2	D4602-FIE0-0000	WHEEL RIM (9"×8)	1	輪圈(9"x8")		
22-3	D2705-FIC0-0000	SHAFT CONNECTER WITH BOLTS	2	後軸聯結器總成		
22-4	D4611-FIC0-0000	NUT,FLANGE CHECK(M10)	8	凸緣防鬆螺帽(M10)		
22-5	D2309-5EA0-0000	WHEEL AXLE WASHER, REAR(ψ14 ×40×4.5)	2	後輪軸墊片		
22-6	I4012-140H0	CASTLE NUT(M14)	2	六角溝槽螺帽(M14)		
22-7	I4201-46325	COTTER PIN	2	開口銷		
22-8	D4609-5EA0-0000	RUBBER COVER	2	橡膠套		

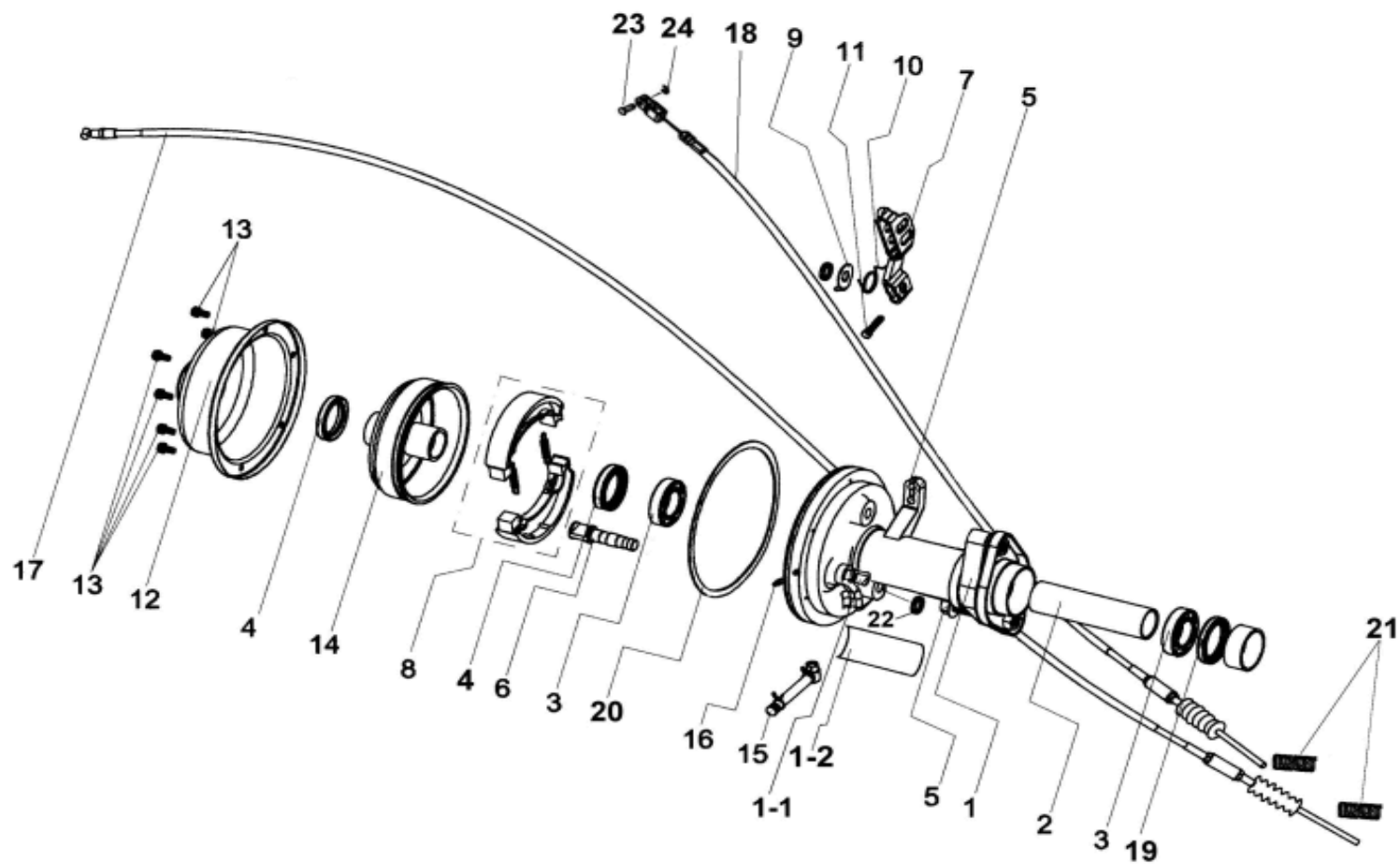
# 23.FRONT BRAKE



ITEM	PART NO.	NAME	Q'TY	品名	VIN /ENG NO	E.U
23		FRONT BRAKE				
23-1	G7160-FIC0-0000	BRAKE DISC MOUNTING SEAT LEFT	1	卡鉗固定座(左)		
23-2	G7120-FIC0-0000	BRAKE CALL IPER LEFT	1	前煞車卡鉗(左)		
23-2-1	G7131-5EE0-0000	PAD ASSY BRAKE	1	煞車蹄片		
23-3	G7170-FIC0-0000	BRAKE DISC MOUNTING SEAT RIGH	1	卡鉗固定座(右)		
23-4	G7140-FIC0-0000	BRAKE CALL IPER RIGH	1	前煞車卡鉗(右)		
23-4-1	G7131-5EE0-0000	PAD ASSY BRAKE	1	煞車蹄片		
23-5	I7507-FIA0-0000	BOLT,FLANGE	4	六角凸緣螺栓		
23-6	I0401-10034	UNION BOLT,BRAKE HOSE	3	煞車油管通油螺栓		
23-7	I0201-10118	WASHER,PLATE	6	銅墊圈		
23-8	G7110-FIC0-0000	FRONT BRAKE OIL TUBE ASSY	1	前煞車油管總成		
23-8-1	G7111-FIC0-0000	FRONT BRAKE OIL TUBE LEFT	1	前煞車油管(左)		
23-8-2	G7112-FIC0-0000	FRONT BRAKE OIL TUBE RIGHT	1	前煞車油管(右)		
23-8-3	G7113-FIC0-0000	FRONT BRAKE OIL TUBE END	1	前煞車油管(後)		
23-8-4	I0401-10034	UNION BOLT,BRAKE HOSE	2	煞車油管通油螺栓		
23-8-5	I0201-10118	WASHER,PLATE	4	銅墊圈		
23-9	E5451-FIC0-9000	CABLE, FRONT BRAKE ASSY	1	前煞車線總成		
23-10	G7100-FIE0-0000	BRAKE MASTER CYLINDER	1	前煞車主缸		
23-11	D3410-FIC0-9000	BRAKE MASTER CYLINDER ARM	1	煞車主缸搖臂		
23-12	D3419-FIC0-0000	RETURN SPRING	2	搖臂復歸彈簧		
23-13	G7202-9PA0-0000	SWITCH (FLOOR)	1	腳煞車燈開關		
23-14	E0711-FIC0-9000	SPG,BRAKE LAMP SWITCH	1	煞車燈開關彈簧		
23-15	I7510-06016-1B	PIN	2	帶頭銷		
23-16	I5300-00500-N	CLIP,E TYPE(ψ5)	2	E型扣環(φ5)		
23-17	E0708-FIC0-9000	PEDAL COMP BRAKE	1	腳踏車踏桿		
23-18	I5300-01500-K	CLIP,E TYPE(ψ15)	1	E型扣環(φ15)		
23-19	I3010-19025-1K	PLAIN WASHER(ψ19xψ25)	1	平墊圈(φ19xψ25)		

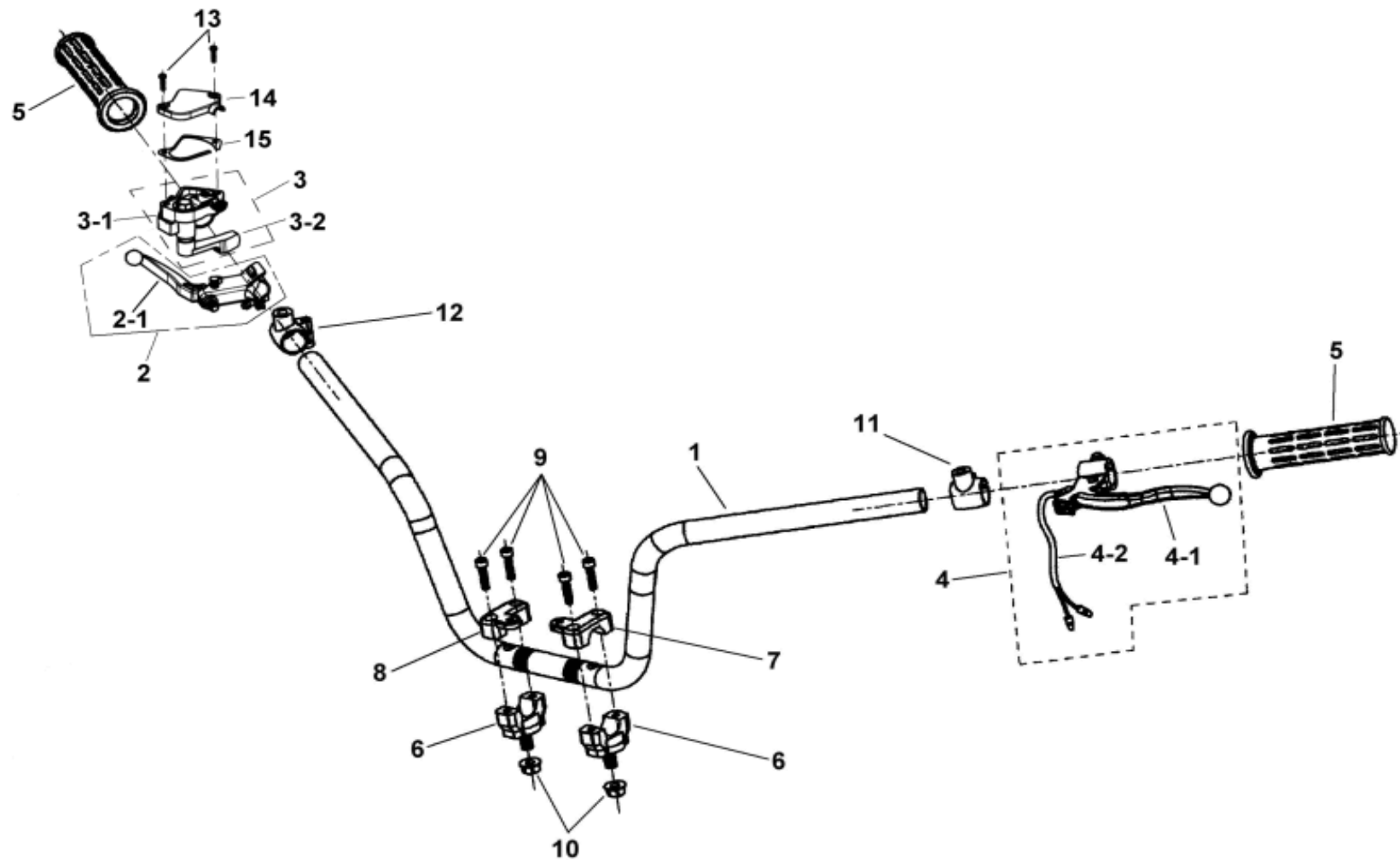
ITEM	PART NO.	NAME	Q'TY	品名	VIN /ENG NO	E.U
23		FRONT BRAKE				
23-20	I5827-08030	BOLT,FLANGE(M8x30)	1	六角螺絲		
23-21	I5800-08300	NUT,FLANGE CHECK(M8)	1	螺帽		
23-22	I0050-06025	BOLT,SOCKET(M6x25)	2	內六角螺絲		
23-23	I0149-06016	SCREW,PAD NEAD(M6x16)	1	圓頭螺絲附墊圈		
23-24	I8557-06012	SCREW,PAD NEAD(M6x12)	1	盤頭螺絲附墊圈		
23-25	C2962-UE1-0000	CLAMPER	1	線夾		
23-26	I5827-08030	BOLT,FLANGE	1	六角螺絲		

# 24. REAR BRAKE



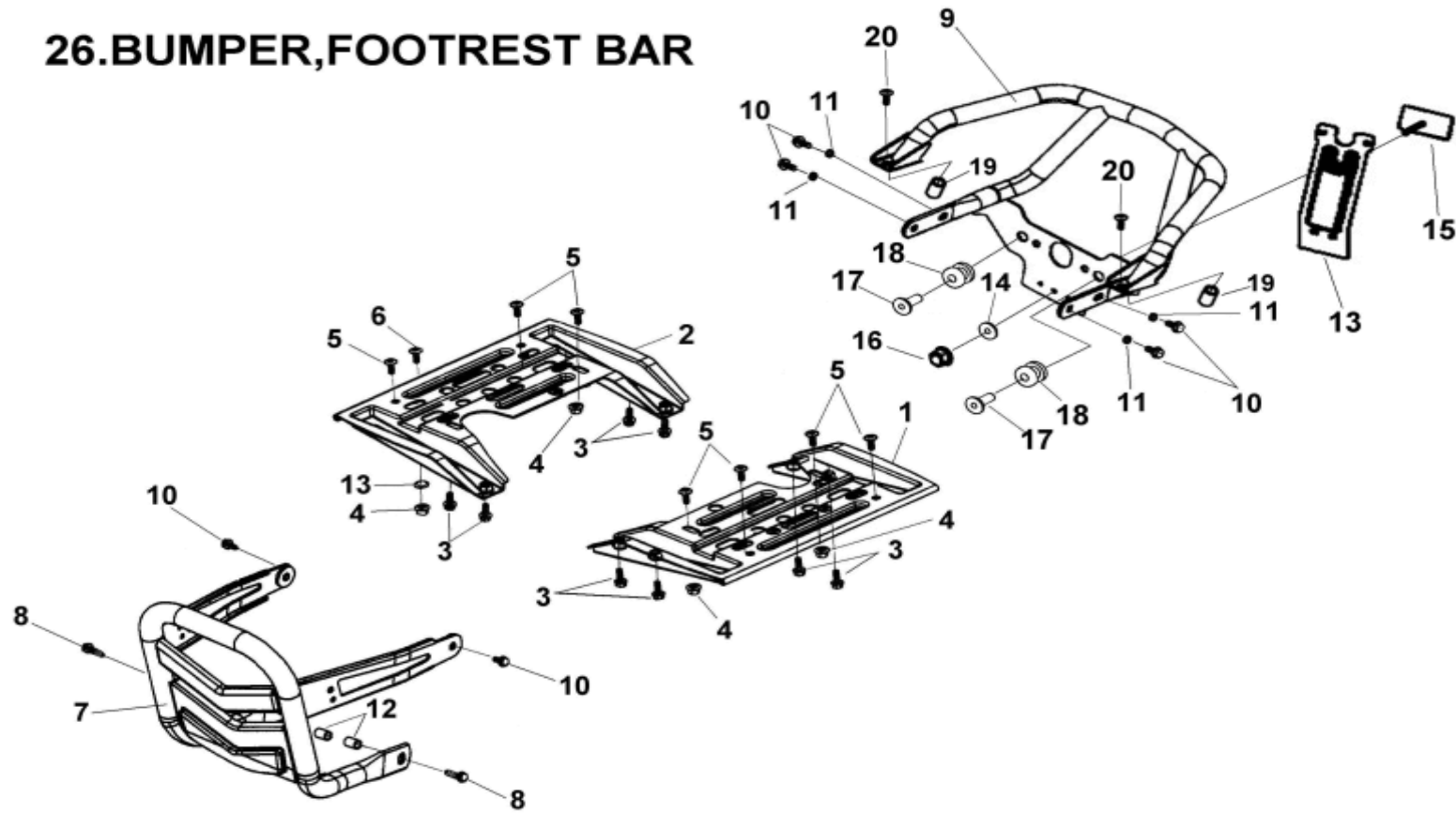
ITEM	PART NO.	NAME	Q'TY	品名	VIN /ENG NO	E.U
24		REAR BRAKE				
24-1	D231A-FIA0-0000	BEARING SEAT ASSY., REAR WHEEL AXLE	1	後輪軸承座總成		
24-1-1	D3142-FIA0-0000	ANCHOR PIN	1	後煞車固定銷		
24-1-2	H7106-FIA0-0000	WARNING STICKER , CHAIN	1	鏈條警告貼紙		
24-2	D2311-FIA0-0000	SPACER	1	軸承座隔筒		
24-3	I6100-6007LLU	BEARING(6007LLU)	2	軸承(6007LLU)		
24-4	D2315-FIA0-0000	OIL SEAL(ψ43 ×62×12)	2	油封		
24-5	I0141-12036-01	BOLT,FLANGE (M12×36)	4	凸緣螺栓(M12×36)		
24-6	D3141-FIA0-0010	BRAKE ARM CAM,REAR	1	後搖臂凸輪		
24-7	D3410-FIA0-0000	BRAKE ARM ,REAR	1	後煞車搖臂		
24-8	D3120-FIA0-9000	REAR BRAKE SHOE COMP	1	後煞車蹄片組		
24-9	D3145-FIA0-0000	REAR BRAKE INDICATOR	1	後煞車指示器		
24-10	D3419-FIA0-0000	REAR RETURN SPRING	1	後復歸彈簧		
24-11	I0020-06030	BOLT(M6×30)	1	螺栓		
24-12	D3615-FIA0-0000	DRUM COVER,REAR	1	後煞車鼓蓋		
24-13	I8557-06012	SCREW WITH WASHER(M6x12)	6	盤頭螺絲附墊圈		
24-14	D3610-FIA0-9000	REAR BRAKE DRUM	1	後煞車鼓		
24-15	D2316-5EA0-0000	DRAIN PIPE ASSY	1	排水管總成		
24-16	D2319-FIA0-0000	PLUG PURGE HOLE	1	吹氣孔塞		
24-17	E3450-FIC0-9000	CABLE,REAR BRAKE	1	後煞車線總成		
24-18	E0710-FIC0-0000	BRAKE PEDAL CABLE	1	腳煞車線總成		
24-19	D2313-FIA0-0000	OIL SEAL(ψ48 ×62×7)	1	油封		
24-20	D3611-FIA0-0000	O-RING	1	O型環		
24-21	D3416-FIA0-0000	SPG BRAKE CABEL	2	後煞車線彈簧		
24-22	D2203-5EA0-0000	PLAIN WASHER	1	平墊圈		
24-23	I7510-06016-1B	PIN	1	帶頭銷		
24-24	I5300-00500-N	CLIP,E TYPE(ψ5)	1	E型扣環(ψ5)		

# 25.HANDLE BAR



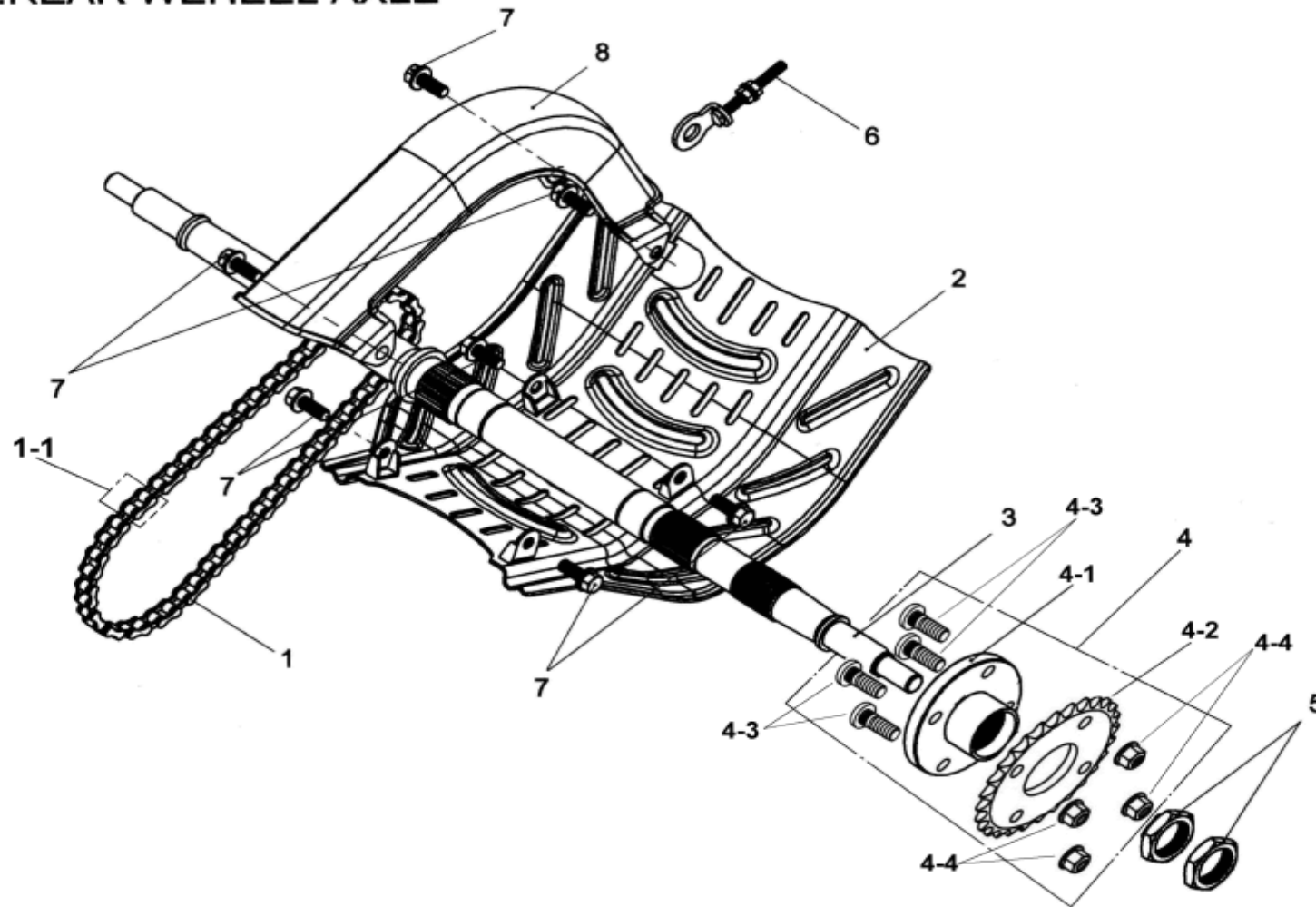
ITEM	PART NO.	NAME	Q'TY	品名	VIN /ENG NO	E.U
25		HANDLE BAR				
25-1	E3100-FIE0-0000	HANDLE BAR ASSY.	1	手把總成		
25-2	E3180-FIC0-0000	LEVER ASSY. RIGHT	1	右拉桿總成		
25-2-1	E3181-FIC0-0000	LEVER SET,RIGHT	1	右拉桿組		
25-3	E3180-4HA0-0000	LEVER ASSY,RIGHT	1	加油座總成		
25-3-1	E3191-4HA0-0000	ACCELERATOR BODY	1	加油座本體		
25-3-2	E319A-4HA0-0000	LEVER	1	加油座拉桿		
25-3-3	E3189-5EA0-0000	THROTTLE CABLE ARM	1	加油推桿		
25-3-4	E3190-5EA0-0000	SPRING	1	彈簧		
25-3-5	I0010-06020	SCREW (M6×20)	1	螺絲		
25-3-6	I0149-08012H	BOLT,FLANGE(M8x12)	1	帶頭螺絲		
25-3-7	E3192-5EA0-0000	WASHER (ψ20×ψ14.2x1.5)	1	墊圈		
25-3-8	I8506-05024	BOLT(M5x24)	1	螺絲		
25-3-9	I5800-05300	NUT HEX	1	螺帽		
25-4	E3170-FIA0-0000	LEVER ASSY., LEFT	1	左拉桿總成		
25-4-1	E3171-FIA0-0000	LEVER,LEFT	1	左拉桿		
25-4-2	E3174-5EA0-0000	BRAKE SWITCH ASSY.	1	煞車開關		
25-5	E3166-5EA0-0000	GRIP HANDLE	2	握把		
25-6	E3112-5EA0-0000	HANDLE BAR CLAMP, BOTTOM	2	手把固定座(底座)		
25-7	E3110-5EA0-0000	HANDLE BAR CLAMP, CAP, LEFT	1	手把固定座(上蓋,L)		
25-8	E3111-5EA0-0000	HANDLE BAR CLAMP, CAP, RIGHT	1	手把固定座(上蓋,R)		
25-9	I0050-06025	SCREW ,SOCKET (M6×25)	4	內六角螺絲(M6*25)		
25-10	I5611-10200	NUT,FLANGE CHECK (M10)	2	凸緣防鬆螺帽(M10)		
25-11	E3113-5FA0-0000	A MIRROR BRACKET(LEFT)	1	鏡孔座(左)		
25-12	E3114-5FA0-0000	A MIRROR BRACKET(RIGHT)	1	鏡孔座(右)		
25-13	I8506-04016	SCREW PAN HEAD(M4x16)	2	盤頭螺絲		
25-14	E3183-4HA0-0000	COVER,RIGHT LEVER	1	上蓋		
25-15	E3188-5EA0-0000	WASHER	1	墊片		

# 26. BUMPER, FOOTREST BAR



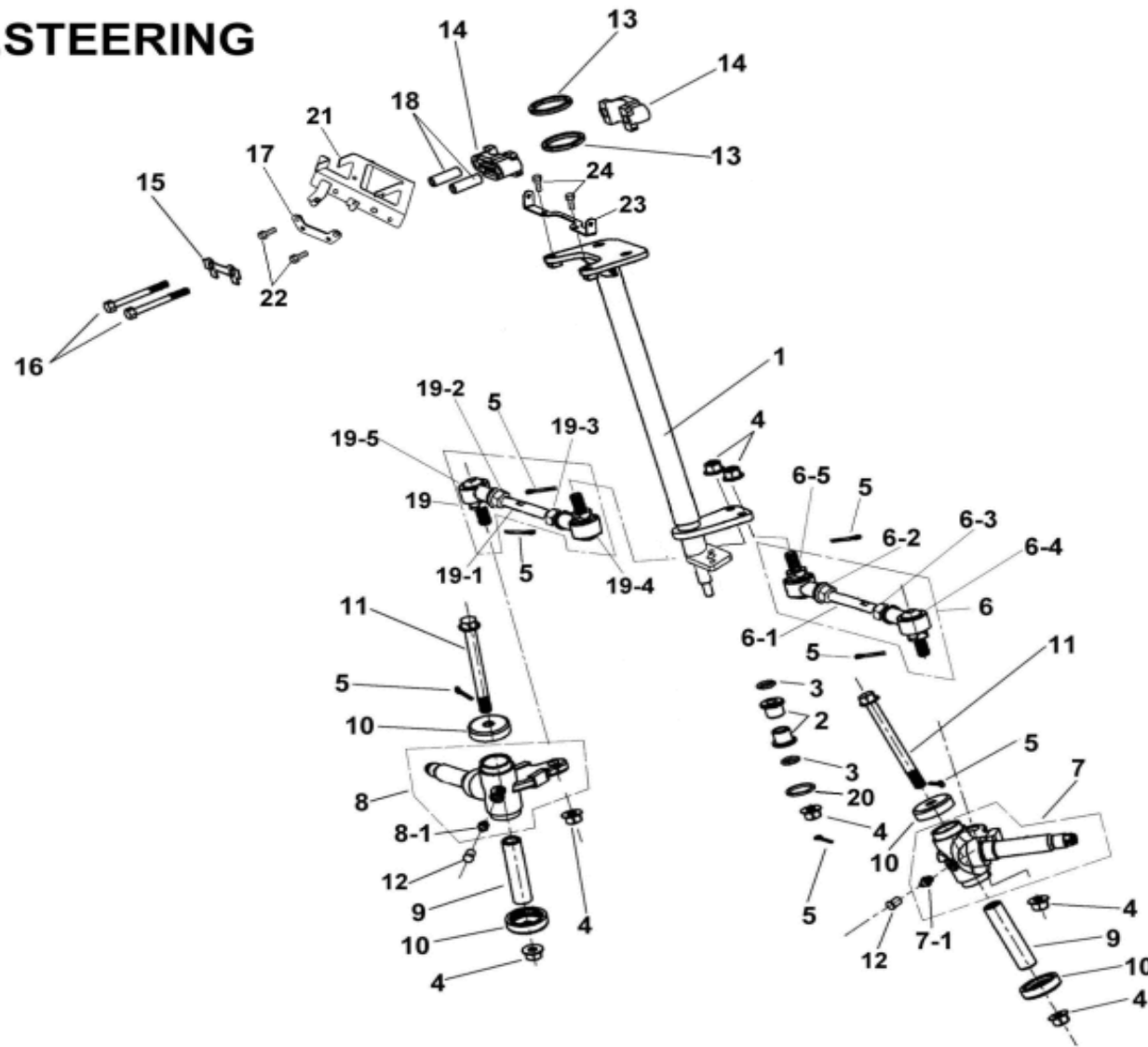
ITEM	PART NO.	NAME	Q'TY	品名	VIN /ENG NO	E.U
26		BUMPER, FOOTREST BAR				
26-1	E0700-FIA0-0000	FOOTREST BAR	1	置腳踏板固定板		
26-2	E0700-FID0-0000	FOOTREST BAR	1	置腳踏板固定板(右)		
26-3	I7507-FIA0-0000	SCREW,HEXAGON HEAD WITH WASHER(M8×16)	8	六角螺絲附墊圈		
26-4	I5611-06200-0G	NUT	4	自鎖螺帽(墨綠)		
26-5	I0149-06823	SCREW,BUTTON HEAD	7	扁圓頭螺絲		
26-6	I0119-06802	BOLT ,HEXAGON HEAD (M6×16)	1	六角套頭螺栓		
26-7	E0400-FID0-0000	BUMPER ASSY.	1	前防護桿總成		
26-8	I0105-08035	BOLT,FLANGE(M8x35)	2	六角凸緣螺栓		
26-9	E0410-FIE0-0700	REAR BAR ASSY.	1	後防護桿總成		
26-10	I0149-08016	BOLT ,FLANGE (M8×16)	8	凸緣螺栓(M8×16)		
26-11	I9901-08100	SPRING WASHER	4	彈簧墊圈		
26-12	E0402-FID0-0000	COLLAR, BUMPER	2	防護桿隔筒		
26-13	H4751-FIE0-0000	PLASTIC PLATE,LICENSE	1	牌照板		
26-14	I4104-06515	NO:065 WASHER	1	NO:65平墊圈		
26-15	C3741-5BA0-0000	RETRO REFLECTOR	1	反光片		
26-16	I2020-50001	NYLON NUT	1	尼龍螺帽		
26-17	H1104-BCA0-0000	COLLAR,FLANGED	2	襯套		
26-18	F0703-BCA0-0000	DAMPER	2	減震橡膠		
26-19	E0402-FIE0-0000	COLLAR, BUMPER	2	防護桿隔筒		
26-20	I0105-08040	BOLT,FLANGE(M8x40)	2	六角凸緣螺栓		

## 27.REAR WEHEEL AXLE



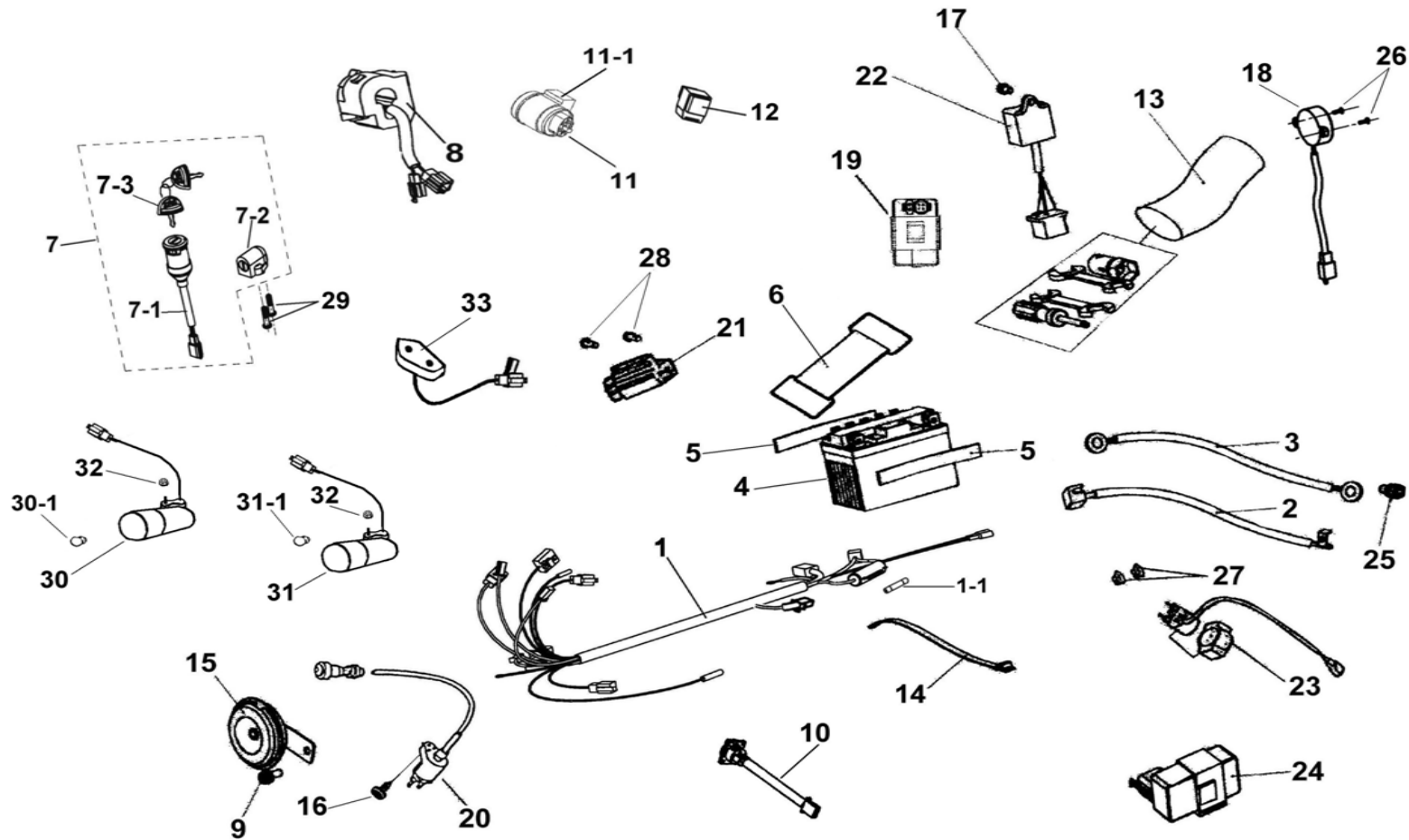
ITEM	PART NO.	NAME	Q'TY	品名	VIN /ENG NO	E.U
27		REAR WHEEL AXLE		後輪軸		
27-1	D0100-FIC0-0000	OIL SEAL DRIVE CHAIN ASSY.	1	油封鏈條(520H×80 目)		
27-1-1	D0104-FIC0-0000	MASTERLINK (#520)	1	鏈條接頭(#520)		
27-2	D0101-FIA0-1000	PROTECT COVER	1	軸承座防護蓋		
27-3	D2301-FIA0-0000	REAR AXLE	1	後輪軸		
27-4	D0110-FIA0-0000	SPROCKET HOLDER,REAR ASSY.	1	後鏈齒輪固定座總成		
27-4-1	D0111-FIA0-0000	SPROCKET HOLDER,REAR(34T)	1	後鏈齒輪固定座		
27-4-2	D1111-FIA0-0000	GEAR(520×34T)	1	齒輪		
27-4-3	D2706-9EA0-0000	STUD(M10)	4	緊配螺栓		
27-4-4	I5611-10200	NUT,HEXAGON CHECK(M10)	4	六角防鬆螺帽		
27-5	D2302-FIA0-0000	NUT REAR WHEEL AXLE(M28×1.5)	2	後輪軸螺帽		
27-6	D0120-FIA0-0000	ADJUSTER, CHAIN	1	鏈條調整器		
27-7	I0149-08016	BOLT FLANGE (M8×16)	7	凸緣螺栓(M8×16)		
27-8	D0102-FIA0-0000	DRIVE CHAIN COVER	1	鏈條防護蓋		

# 28. STEERING



ITEM	PART NO.	NAME	Q'TY	品名	VIN /ENG NO	E.U
28		STEERING				
28-1	E3200-FIE0-0000	SHAFT ASSY., STEERING	1	轉向桿總成		
28-2	E3201-FIA0-0000	OIL LINER	2	轉向桿含油襯套		
28-3	E3204-FIA0-0000	O-RING (W2.4×d14.8)	2	O型環(w2.4×d14.8)		
28-4	I5611-10200	NUT,FLANGE CHECK (M10)	7	凸緣防鬆螺帽(M10)		
28-5	I9900-25019	COTTER PIN(3/32"×3/4")	7	開口銷		
28-6	E0258-FIA0-1000	STEERING TIE-ROD ASSY,LEFT	1	轉向拉桿(左)		
28-6-1	E0251-FIA0-1000	BOLT,STUD	1	雙頭牙螺栓		
28-6-2	E0252-5EA0-0000	NUT(R)	1	螺帽(右)		
28-6-3	E0253-5EA0-0000	NUT(L)	1	螺帽(左)		
28-6-4	E0255-FIA0-1000	UNIVERSAL JOINT(L)	1	萬向接頭(左)		
28-6-5	E0256-FIA0-1000	UNIVERSAL JOINT(R)	1	萬向接頭(右)		
28-7	E0205-FIA0-1000	KNUCKLE, LEFT	1	前輪轉向軸(左)		
28-7-1	I6600-06000	GREASE VALVE	1	黃油嘴(1/4")		
28-8	E0215-FIA0-1000	KNUCKLE, RIGHT	1	前輪轉向軸(右)		
28-8-2	I6600-06000	GREASE VALVE	1	黃油嘴(1/4")		
28-9	E0211-9FA0-0000	SLEEVE	2	含油套筒		
28-10	E0203-9FA0-0000	CAP	4	封蓋		
28-11	I0102-10105	FLANGE PIN HOLE BOLT(M10×105)	2	凸緣銷孔螺栓		
28-12	E0209-5EA0-9000	CAP, GREASE VALVE	2	黃油嘴蓋		
28-13	E3209-FIA0-0000	OIL SEAL(φ31.8 ×37.8×4)	2	油封		
28-14	E3202-FIA0-0000	HOLDER, STEERING SHAFT	2	轉向桿固定環		
28-15	E3203-FIA0-0000	FIX PLATE, STEERING SHAFT	1	轉向桿固定片		
28-16	I0020-08060	BOLT,HEXAGON HEAD(M8×60)	2	六角螺栓(M8×60)		
28-17	E3210-FID0-0000	HOLDER, STEERING SHAFT PRESSED	1	轉向桿固定環壓板		
28-18	E3208-FIA0-0000	STEERING , COLLAR	2	固定環隔筒		
28-19	E0259-FIA0-1000	STEERING TIE-ROD ASSY,RIGHT	1	轉向拉桿(右)		
28-19-1	E0251-FIA0-1000	BOLT,STUD	1	雙頭牙螺栓		
28-19-2	E0252-5EA0-0000	NUT(R)	1	螺帽(右)		
28-19-3	E0253-5EA0-0000	NUT(L)	1	螺帽(左)		
28-19-4	E0255-FIA0-1000	UNIVERSAL JOINT(L)	1	萬向接頭(左)		
28-19-5	E0256-FIA0-1000	UNIVERSAL JOINT(R)	1	萬向接頭(右)		
28-20	I4608-06819	O-RING	1	O型環		
28-21	E3230-FID0-0000	FIXED PLATE,ELECTRICAL EQUIPMENT	1	電裝品固定片		
28-22	I0149-08016	BOLT,FLANGE (M8×16)	2	凸緣螺栓		
28-23	C7203-FIE0-0000	HANDLE COVER FIXED	1	手把蓋固定座		
28-24	I0149-06012	BOLT,FLANGE(M6×12)	2	凸緣螺栓(M6×10)		

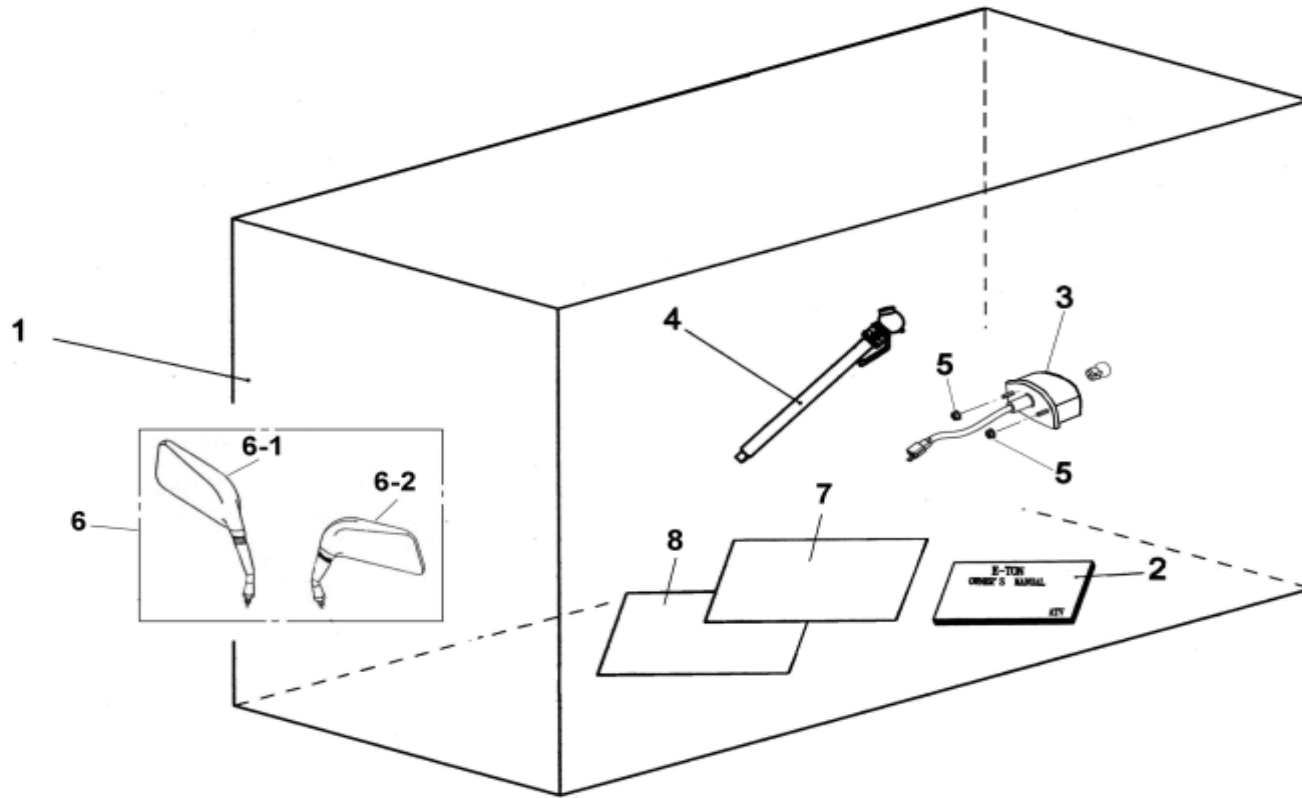
# 29.ELECTRICAL EQUIPMENT



ITEM	PART NO.	NAME	Q'TY	品名	VIN /ENG NO	E.U
29		ELECTRICAL EQUIPMENT				
29-1	C2100-FIE0-0000	MAIN WIRE ASSY.	1	主配線		
29-1-1	C2010-FIA0-0000	FUSE (10A)	1	保險絲		
29-2	C2101-FIA0-0000	POSITIVE HIGHT PRESSURE CABLE	1	正極高壓導線		
29-3	C2102-FIA0-1000	NEGATIVE LOW PRESSURE CABLE	1	負極高壓導線		
29-4	C1500-FIA0-0000	BATTERY	1	電瓶		
29-5	C1501-9FA0-0000	FOAM RUBBER STRIP	2	電瓶海棉		
29-6	C1502-9FA0-0000	RUBBER CLAMP, BATTERY(89L)	1	電瓶固定帶		
29-7	C501A-5PA0-0000	MAIN SWITCH ASSY.	1	主開關總成		
29-7-1	C5010-9FA0-0000	MAIN SWITCH	1	主開關		
29-7-2	C5011-FIC0-0000	FAUCET LOCK	1	龍頭鎖		
29-7-3	C5013-9FA0-0000	MATERIAL KEK	1	鑰匙(素材)		
29-8	C5201-FIC0-0000	LEVER HOLDER ASSY	1	左把手開關		
29-9	I8556-06016	SCREW WITH WASHER(M6×16)	1	盤頭螺絲附墊圈		
29-10	C1802-FIB0-0000	POEWR SUPPLY	1	電源供應座		
29-11	C830A-5PA0-0000	FLY RELAY ASSY.	1	閃光器		
29-11-1	C8302-EGA0-0000	FIXER RUBBER, FLY RELAY	2	閃光器固定橡膠		
29-12	C5850-FIC0-0000	RELAY	1	繼電器		
29-13	H9020-FIA0-0000	TOOL PACK	1	工具包		
29-14	H3936-5AA0-0000	WIRE CLAMP	1	線束帶		
29-15	C8110-5BA0-E000	HORN	1	喇叭		
29-16	I3401-05020-07	BOLT WASH (M5x20)	1	六角凸緣帶墊圈螺絲		
29-17	I8556-06012	SCREW WITH WASHER	1	盤頭螺絲附墊圈		
29-18	C8400-EMA0-0000	BUZZER	1	蜂鳴器		
29-19	C0410-V30-9001	C.D.I. UNIT ASSY.	1	CDI . UNIT		
29-20	C0510-V30-0000	IGNITION COIL ASSY.	1	點火線圈		
29-21	C1600-B00-9000	RECTIFIER & REGULATOR	1	整流器		
29-22	C1850-V30-0000	PTC CONTROLLER	1	PTC 控制器		
29-23	C5850-A04-0000	STARTER RELY ASSY.	1	起動開關組		
29-24	C576A-V30-0000	LIGHT CONTROLLER	1	燈號控制器		

	<b>PART NO.</b>	<b>NAME</b>	<b>Q'TY</b>	<b>品名</b>	<b>VIN /ENG NO</b>	<b>E.U</b>
		ELECTRICAL EQUIPMENT				
29-25	I8557-06012	SCREW ,WITH WASHER(M6×12)	1	盤頭螺絲附墊圈		
29-26	I2600-03008	SCREW,FLUSH(M3×12)	2	十字平頭螺絲		
29-27	I2020-60000	NUT,HEX-FINE	2	起動開關組螺帽		
29-28	I0153-06839	SCREW	2	螺絲		
29-29	I8501-5BA1-0000	BOLT,BROKENABLE	2	斷頭螺絲		
29-30	C3401-FIE0-0000	TURN LAMP ASSY,RIGHT	2	右方向燈總成		
29-30-1	C3402-FIE0-0000	TURN LAMP BULB(10W)	2	方向燈燈泡(10W)		
29-31	C3451-FIE0-0000	TURN LAMP ASSY,LEFT	2	左方向燈總成		
29-31-1	C3402-FIE0-0000	TURN LAMP BULB(10W)	2	方向燈燈泡(10W)		
29-32	I2020-50001	NYLON NUT	4	尼龍螺帽		
29-33	C7200-FIE0-0000	SPEEDOMETER ASSY	1	碼表總成		
29-34	I8506-05010	SCREW	2	十字槽圓頭機器螺絲		

# 30.PACKING CASE,EXTERNAL



ITEM	PART NO.	NAME	Q'TY	品名	VIN /ENG NO	E.U
30		PACKING CASE,EXTERNAL		包裝外箱		
30-1	H9500-FIB0-0000	PACKING CASE,EXTERNAL	1	包裝外箱		
30-2	H9900-FIE0-0000	OWNER'S MANUAL	1	使用手冊總成		
30-3	C5031-FID0-0000	TAIL LIGHT	1	後剎車燈		
30-4	H9022-5EA0-0000	TIRE GAUGE	1	胎壓計		
30-5	I5611-06200-0G	NUT	2	防鬆螺帽		
30-6	H8100-5BA1-E000	BACK MIRROR ASSY.	1	後視鏡總成(DOT)		
30-6-1	H8110-5BA1-E000	BACK MIRROR,RIGHT	1	右後視鏡		
30-6-2	H8120-5BA1-E000	BACK MIRROR,LEFT	1	左後視鏡		
30-7	H9905-FIE0-0000	CERTIFICATE OF ORIGIN	1	出廠證明		
30-8	H9906-FIE0-0000	SET-UP DIAGRAM	1	組裝示意圖		